

GN 7405

Stainless Steel-Strainer fittings



Specification

Types

- Type **A**: Fitting with female thread on both ends
- Type **B**: Fitting with female / male thread

Housing

Stainless Steel AISI 304 **NI**

Strainer

Stainless Steel mesh

AISI 304

Strainer bezel

Plastic (Polyamide PA)

- glass fibre reinforced
- temperature resistant up to 100 °C

O-ring

NBR (Perbunan)

Information

GN 7405 Stainless Steel-Strainer fittings are suited for assembly into piping systems as upstream or downstream protection devices. Depending on the mesh size, particles carried by liquid or gaseous media can be prevented from passing through. Units or housing interiors are thereby protected from foreign objects which can impair function or durability due to their size.

The housing is separately bolted through a union nut, making assembly/disassembly easier and allowing the strainer insert to be exchanged if necessary.

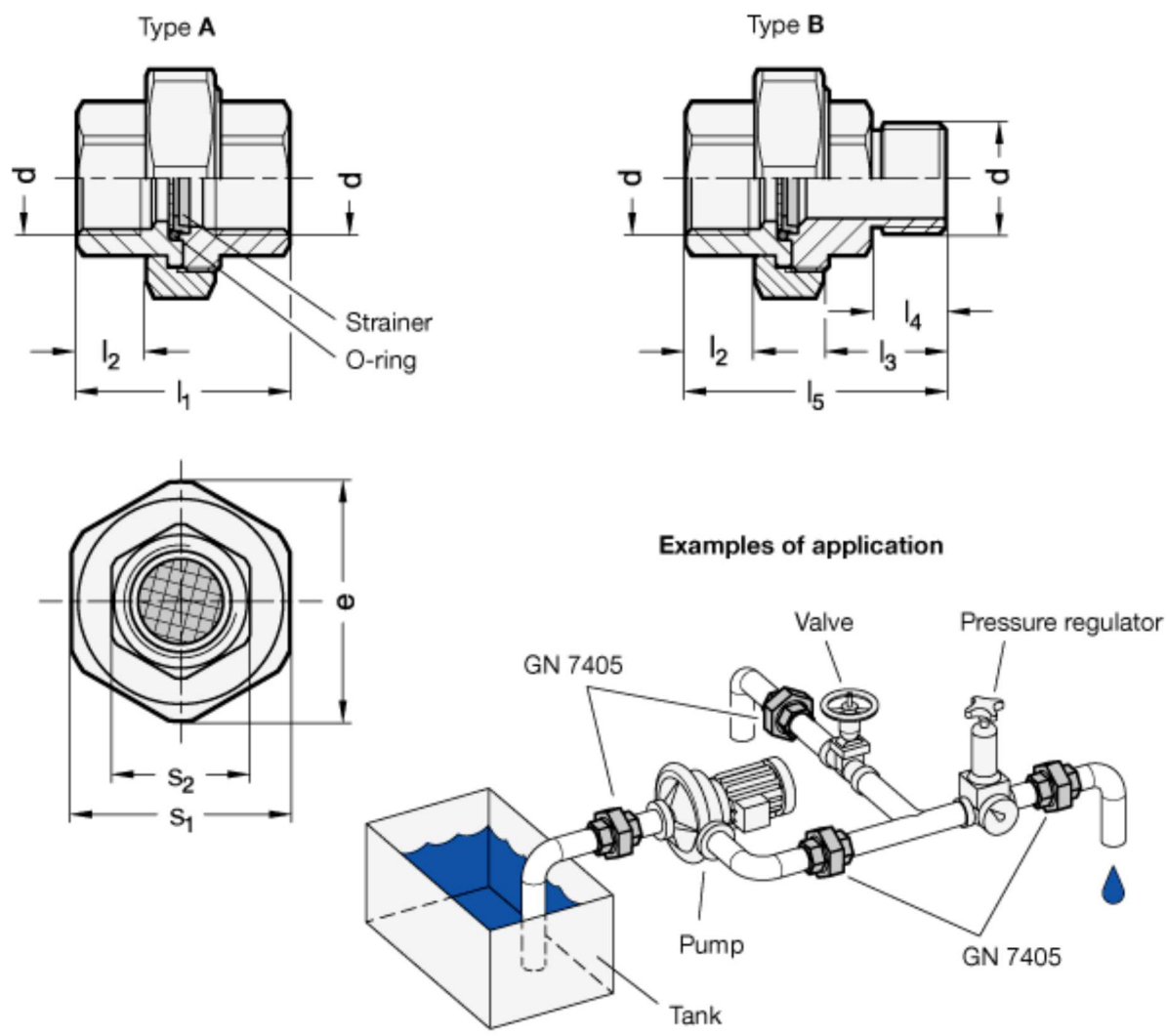
Replacement or maintenance Stainless Steel-Strainers are available under the [GN 7403.1](#) standard.

Accessory

- Stainless Steel-Strainers [GN 7403.1](#)

Technical information

- [Elastomer characteristics](#)
 - [Plastic characteristics](#)
 - [Stainless Steel characteristics](#)
-



GN 7405

Description	d	Mesh size in μm	e	l_1	l_2	l_3	l_4	l_5	s_1	s_2	Differential pressure Δ 1 bar		Hydraulic oil ($100 \mu\text{m}$)
											Flow volume in l/min. Water $100 \mu\text{m}$	Flow volume in l/min. Water $500 \mu\text{m}$	
GN 7405-NI-G3/8-A-100	G3/8	100	40	36.5	12	-	-	-	36	22	21	25	7
GN 7405-NI-G3/8-A-500	G3/8	500	40	36.5	12	-	-	-	36	22	21	25	7
GN 7405-NI-G1/2-A-100	G1/2	100	45	40	13	-	-	-	41	26	48	61	15.5
GN 7405-NI-G1/2-A-500	G1/2	500	45	40	13	-	-	-	41	26	48	61	15.5
GN 7405-NI-G3/4-A-100	G3/4	100	55	46	15	-	-	-	50	34	96	104	30
GN 7405-NI-G3/4-A-500	G3/4	500	55	46	15	-	-	-	50	34	96	104	30
GN 7405-NI-G3/8-B-100	G3/8	100	40	36.5	12	21	12	45	36	22	21	25	7
GN 7405-NI-G3/8-B-500	G3/8	500	40	36.5	12	21	12	45	36	22	21	25	7
GN 7405-NI-G1/2-B-100	G1/2	100	45	40	13	23	14	49	41	26	48	61	15.5
GN 7405-NI-G1/2-B-500	G1/2	500	45	40	13	23	14	49	41	26	48	61	15.5
GN 7405-NI-G3/4-B-100	G3/4	100	55	46	15	25	16	55	50	34	96	104	30
GN 7405-NI-G3/4-B-500	G3/4	500	55	46	15	25	16	55	50	34	96	104	30