

GN 7403.1

Stainless Steel-Strainers



Specification

Strainer
Stainless Steel mesh **NI**
AISI 304

Strainer bezel
Plastic (Polyamide PA)

- glass fibre reinforced
- temperature resistant up to 100 °C

Information

GN 7403.1 Stainless-Steel-Strainers are adapted for use as replacements for [GN 7405](#)

Depending on the mesh size, particles carried by liquid or gaseous media can be prevented from passing through. Units or housing interiors are thereby protected from foreign objects which can impair function or durability due to their size.

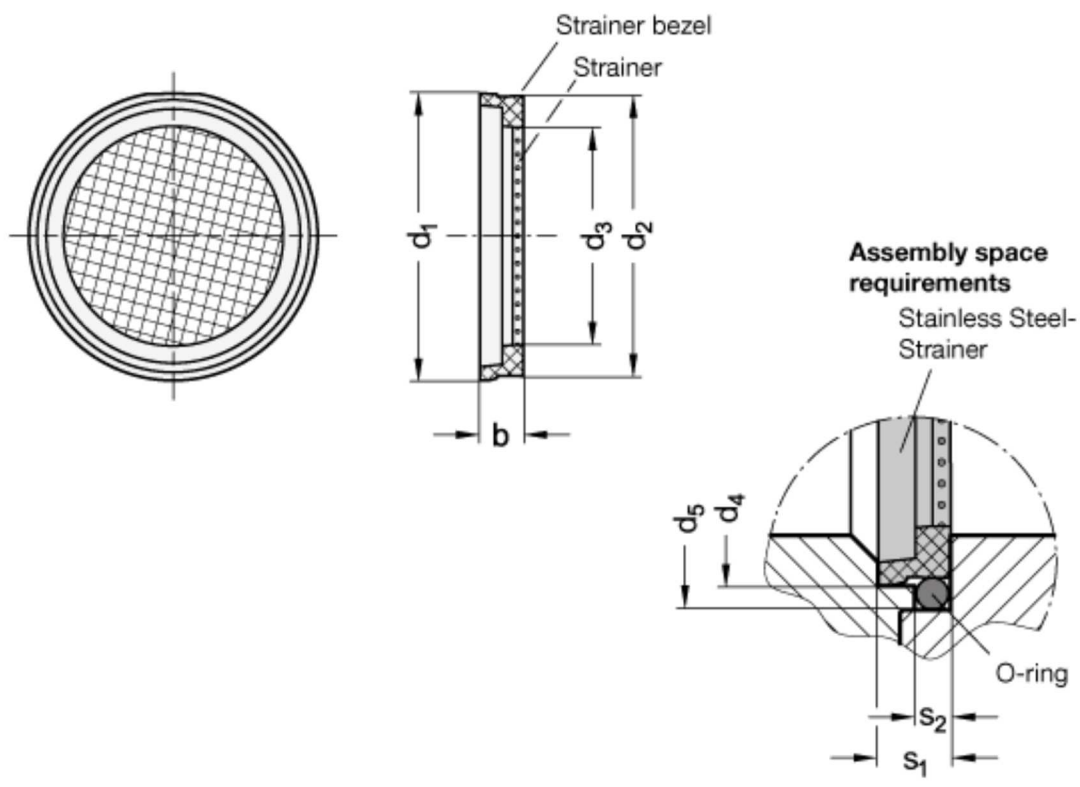
The assembly space required is shown in the drawing. An additional O-ring is generally mounted at the circumference as a seal.

On request

- other mesh sizes
- Plastic strainer mesh

Technical information

- [Plastic characteristics](#)
 - [Stainless Steel characteristics](#)
-



GN 7403.1

Description	Nominal size	Mesh size in μm	b	d_1	d_2	d_3	$d_4 + 0.1$	$d_5 \pm 0.05$	$s_1 + 0.1$	$s_2 - 0.1$	Suitable O-ring	Suitable for nominal size d_1 of GN 7405	Weight
GN 7403.1-NI-14-100	14	100	4	16.6	15.7	10	16.6	18.7	4	2	16x2	G3/8	32
GN 7403.1-NI-14-500	14	500	4	16.6	15.7	10	16.6	18.7	4	2	16x2	G3/8	32
GN 7403.1-NI-18-100	18	100	4	20.6	19.7	14	20.6	22.7	4	2	20x2	G1/2	35
GN 7403.1-NI-18-500	18	500	4	20.6	19.7	14	20.6	22.7	4	2	20x2	G1/2	35
GN 7403.1-NI-24-100	24	100	4	26.6	25.7	20	26.6	28.7	4	2	26x2	G3/4	30
GN 7403.1-NI-24-500	24	500	4	26.6	25.7	20	26.6	28.7	4	2	26x2	G3/4	30