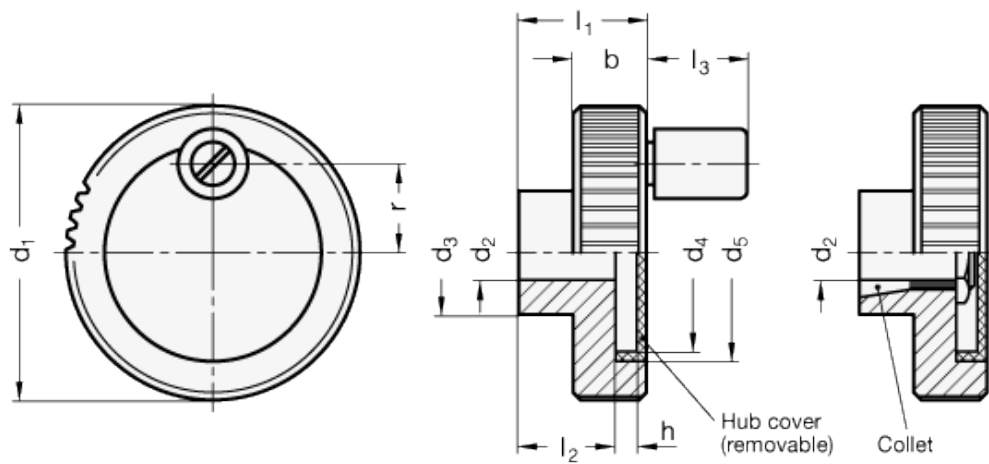


# GN 736

Control handwheels



## technical informations

### Specification

Bore code

- B: without keyway
- K: with keyway
- Z: with collet

### Type

- Type A: without handle
- Type D: with revolving handle

Aluminium  
anodized, black

Hub cover  
Plastic, light grey

Collet / Hexagon nut  
Brass

Revolving cylindrical handles GN 599.5  
Plastic, Technopolymer  
black, matt

*Special executions on request (For sufficient quantities)*

On the surface of the cap words, marks, graphic symbols, etc... can be tampprinted in colours.

Standard Elements	Main dimensions												Weight
Description	d <sub>1</sub>	d <sub>2 H8</sub>	d <sub>3</sub>	d <sub>4</sub>	d <sub>5</sub>	b <sub>-0.5</sub>	h	l <sub>1</sub>	l <sub>2</sub>	l <sub>3 -</sub>	r	Ø-Handle	g
GN 736-52-B10-A	52	10	22	37	39.5	13	3.8	23	17	-	15.5	-	-
GN 736-52-K10-A	52	10	22	37	39.5	13	3.8	23	17	-	15.5	-	-
GN 736-52-Z10-A	52	10	22	37	39.5	13	3.8	23	17	-	15.5	-	-
GN 736-62-B10-A	62	10	25	47	49.5	13	3.8	23	17	-	20.5	-	-
GN 736-62-K10-A	62	10	25	47	49.5	13	3.8	23	17	-	20.5	-	-
GN 736-62-Z10-A	62	10	25	47	49.5	13	3.8	23	17	-	20.5	-	-
GN 736-52-B10-D	52	10	22	37	39.5	13	3.8	23	17	19	15.5	13	-
GN 736-52-K10-D	52	10	22	37	39.5	13	3.8	23	17	19	15.5	13	-
GN 736-52-Z10-D	52	10	22	37	39.5	13	3.8	23	17	19	20.5	14	-
GN 736-62-B10-D	62	10	25	47	49.5	13	3.8	23	17	21	20.5	14	-
GN 736-62-K10-D	62	10	25	47	49.5	13	3.8	23	17	21	20.5	14	-
GN 736-62-Z10-D	62	10	25	47	49.5	13	3.8	23	17	21	20.5	14	-

This product had the following design awards:



ELESA and GANTER models all rights reserved in accordance with the law. Always mention the source when reproducing our drawings.

STANDARD MACHINE ELEMENTS WORLDWIDE