

Stainless Steel Gripping Trays

Screw-In Type

SPECIFICATION

Types

- Type **A**: Mounting from the operator's side (for identification no. 2 with four countersunk sealing screws)
- Type **C**: Mounting from the back

Identification no.

- No. **1**: Without seal
- No. **2**: With seal, black
- No. **3**: With seal, blue (only type C)

Stainless steel AISI 304

Matte shot-blasted **GS**

Electropolished **EP**

Housing seal

- Rubber, glued
- NBR, black (Identification no. 2)
- Silicone, blue (Identification no. 3), FDA compliant

Countersunk sealing screws DIN 7991 M5x16
(Type A, Identification no. 2)

- Stainless steel A2
- Polyamide coating on head

Grub screws (Type C)

- Stainless steel AISI 304
- Welded

Protection class IP 66

INFORMATION

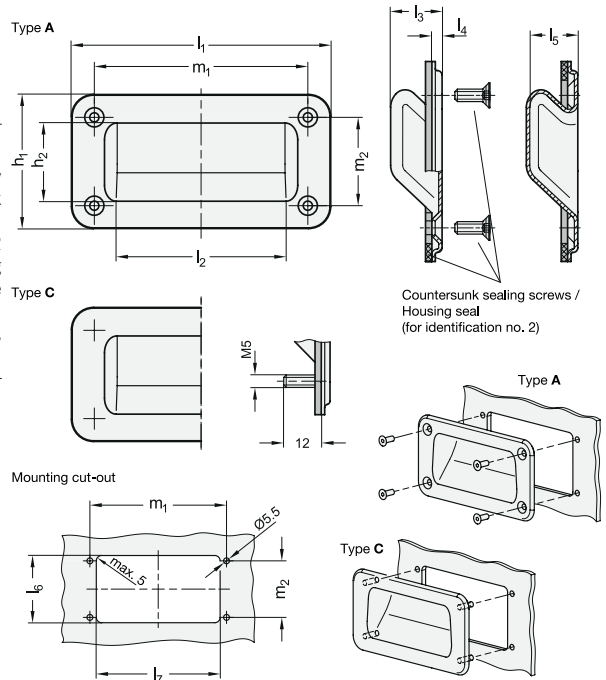
Stainless steel gripping trays GN 7332 can be easily and quickly installed from the front using countersunk screws or from the back with grub screws.

Stainless steel gripping trays with housing seal (Identification no. 2 and 3) prevent the penetration of any dirt or liquids into the housing interior. The FDA-compliant version also allows use in areas where food or pharmaceutical products are produced.

Type A is supplied with four additional countersunk sealing screws, which feature a polyamide coating on the head to create a tight seal.

TECHNICAL INFORMATION

- Stainless Steel characteristics (see page A26)



GN 7332

STAINLESS STEEL

Description	l1	h1	h2	l2	l3	l4	l5	l6 +1	l7 +1	m1	m2	⚖
GN 7332-155-A-1-GS	155	80	42	109	20	3.5	19.2	60	115	128	53	90
GN 7332-155-A-1-EP	155	80	42	109	20	3.5	19.2	60	115	128	53	90
GN 7332-155-A-2-GS	155	80	42	109	20	3.5	19.2	60	115	128	53	104
GN 7332-155-A-2-EP	155	80	42	109	20	3.5	19.2	60	115	128	53	104
GN 7332-155-C-1-GS	155	80	42	109	20	3.5	19.2	60	115	128	53	99
GN 7332-155-C-1-EP	155	80	42	109	20	3.5	19.2	60	115	128	53	99
GN 7332-155-C-2-GS	155	80	42	109	20	3.5	19.2	60	115	128	53	101
GN 7332-155-C-2-EP	155	80	42	109	20	3.5	19.2	60	115	128	53	101
GN 7332-155-C-3-GS	155	80	42	109	20	3.5	19.2	60	115	128	53	101
GN 7332-155-C-3-EP	155	80	42	109	20	3.5	19.2	60	115	128	53	101

