

Gripping trays

Zinc die casting, screw-in type

SPECIFICATION

Types

- Type **A**: Mounting from the operator's side (for identification no. 2 with four countersunk sealing screws)
- Type **C**: Mounting from the back

Identification no.

- No. **1**: without sealing
- No. **2**: with sealing

Zinc die casting
 plastic coated
 black, RAL 9005, textured finish **SW**
 silver, RAL 9006, textured finish **SR**

Housing seal (Identification no. 2)

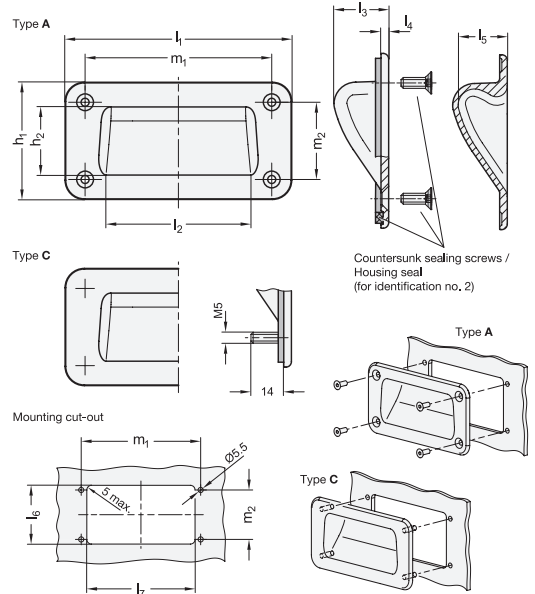
- Rubber NBR, black
- glued

Countersunk sealing screws
 (Type A, Identification no. 2)
 DIN 7991 M5x16

- Stainless Steel A2
- Polyamide coating on head

INFORMATION

Gripping trays GN 7330 can be easily and quickly installed from the front using countersunk screws or from the back with grub screws. Gripping trays with housing seal (Identification no. 2) prevent the penetration of any dirt or liquids into the housing interior. Type A is supplied with four additional countersunk sealing screws, which feature a polyamide coating on the head to create a tight seal.



GN 7330

Description	l1	h1	h2	l2	l3	l4	l5	l6 +1	l7 +1	m1	m2	⚖
GN 7330-127-A-1-SW	127	80	43	72	25	3.5	22.5	60	88	100	53	247
GN 7330-127-A-2-SW	127	80	43	72	25	3.5	22.5	60	88	100	53	252
GN 7330-127-A-1-SR	127	80	43	72	25	3.5	22.5	60	88	100	53	247
GN 7330-127-A-2-SR	127	80	43	72	25	3.5	22.5	60	88	100	53	252
GN 7330-155-A-1-SW	155	80	43	99	25	3.5	22.5	60	115	128	53	288
GN 7330-155-A-2-SW	155	80	43	99	25	3.5	22.5	60	115	128	53	325
GN 7330-155-A-1-SR	155	80	43	99	25	3.5	22.5	60	115	128	53	288
GN 7330-155-A-2-SR	155	80	43	99	25	3.5	22.5	60	115	128	53	325
GN 7330-127-C-1-SW	127	80	43	72	25	3.5	22.5	60	88	100	53	246
GN 7330-127-C-2-SW	127	80	43	72	25	3.5	22.5	60	88	100	53	249
GN 7330-127-C-1-SR	127	80	43	72	25	3.5	22.5	60	88	100	53	246
GN 7330-127-C-2-SR	127	80	43	72	25	3.5	22.5	60	88	100	53	249
GN 7330-155-C-1-SW	155	80	43	99	25	3.5	22.5	60	115	128	53	312
GN 7330-155-C-2-SW	155	80	43	99	25	3.5	22.5	60	115	128	53	317
GN 7330-155-C-1-SR	155	80	43	99	25	3.5	22.5	60	115	128	53	312
GN 7330-155-C-2-SR	155	80	43	99	25	3.5	22.5	60	115	128	53	317