

ELESA+GANTER® website uses cookies to provide a more effective navigation without storing any personal information. [Read more](#)
[I accept](#)

GN 730.5

Stainless Steel-Ledge handle



Specification

Stainless Steel precision casting **A4**

- AISI 316
- matte shot-blasted **GS**

Information

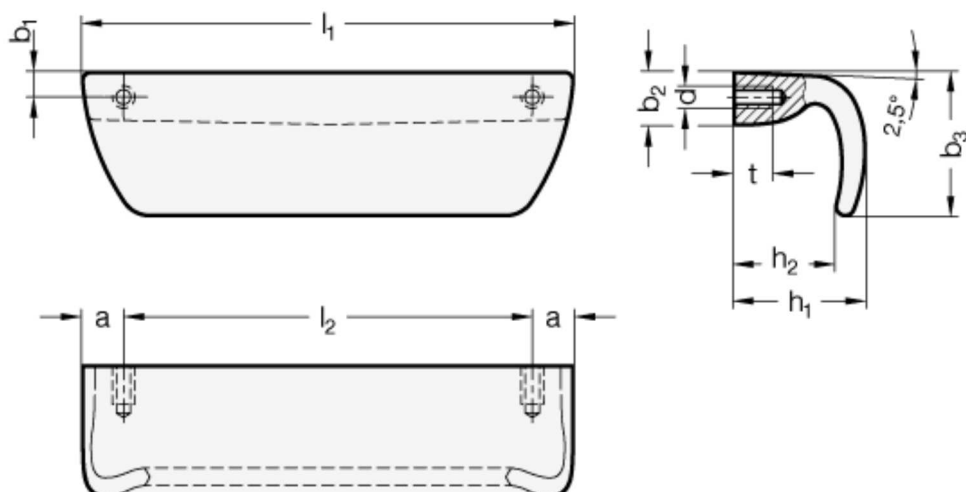
The GN 730.5 Stainless Steel-Ledge handle is used on doors, guards and hatches on machines, as well as on drawers and pull-out units. Due to the A4 material used, the handle is intended especially for use in corrosive environments with aggressive media.

The ledge handle is made in a way that does not allow pooling of fluids, which makes cleaning easier and prevents build up of residue and bacteria.

It can be attached from the back side via the mounting thread. Alternatively, the handles can be welded from the front.

On request

- polished or plastic coated



Description	l_1	d	a	b_1	b_2	b_3	h_1	h_2	l_2	t min.	Weight
GN 730.5-A4-120-GS	120	M6	10	6	12.5	35	32	25	100	9	347