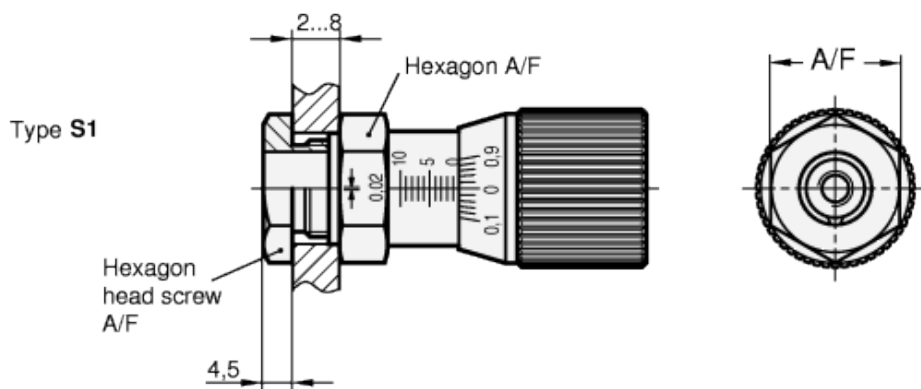
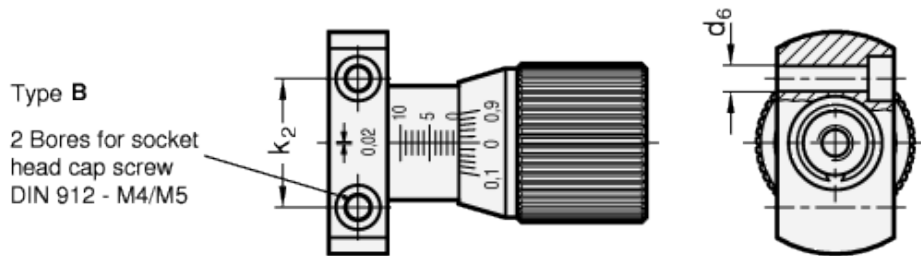
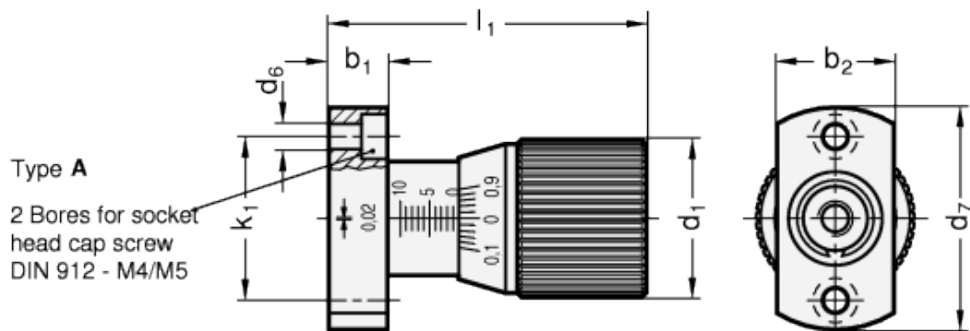


GN 727

Control knobs with adjustable spindle





technical informations

Specification

Types

- Type A: Fixing hole, parallel to the spindle axis
- Type B: Fixing hole, vertical to the spindle axis
- Type S1: Mounting with Hexagon head screw

Coding

- Version SR: with scale 0,1...0,9, 50 graduations ascending clockwise
- Version SL: with scale 0,1...0,9, 50 graduations ascending anti-clockwise

Body

Steel
matt Chrome plated

Spindel

Steel
blank

Control knob

Aluminium
anodized, black

Hexagon head screw

Steel
blackened

Scales engraved with laser precision

Cover Plastic, light grey

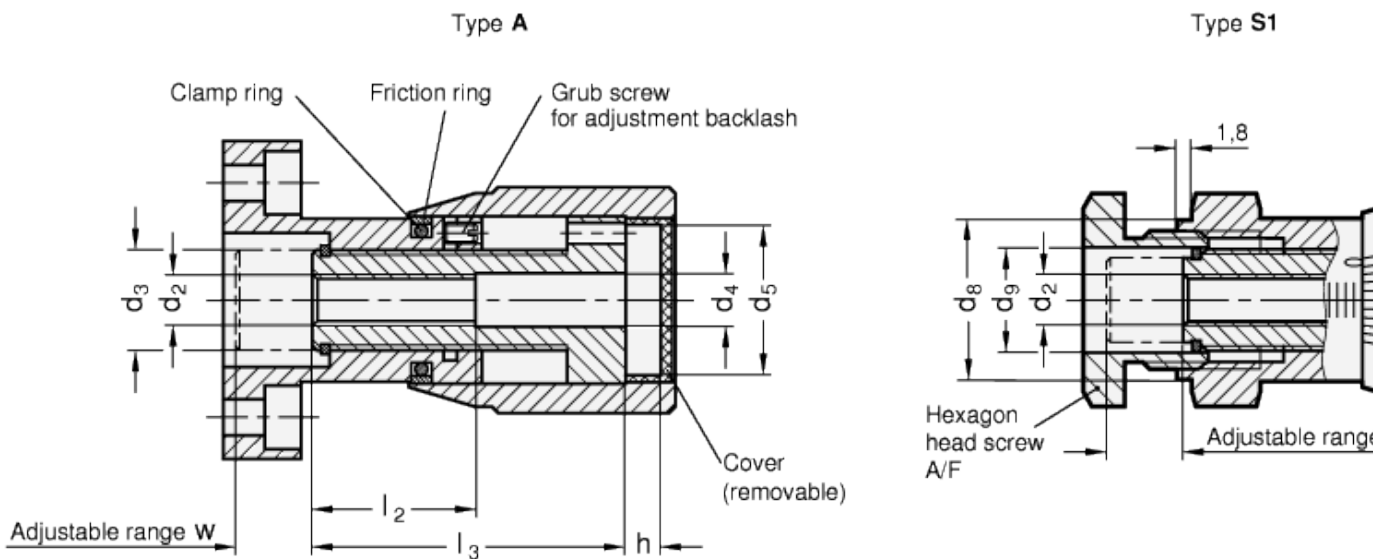
Information

Control knobs with adjustable spindle GN 727 allow precise adjustment or aligning i. e. of a positive stop. The spindle thread is without backlash.

The graduations on the control knob are non-abrasive and well legible.

The light grey cover shrouds the fixing components as well as the shaft end.

Regarding design, numbering run, numbering position and numbering sequence of the scale please see the layout for scale rings on the order sheet „How to order Graduations“



Standard Elements

Main dimensions

Weight

| Description | d ₁ | d ₂ | d ₃ | d ₄ | d ₅ | d ₆ | d ₇ | d _{8-0.05} | d ₉ | b ₁ | b ₂ | h | k ₁ | k ₂ | l _{1+0.2} | l ₂ | l ₃ | A/F | w | g |
|-----------------|----------------|----------------|----------------|----------------|----------------|----------------|----------------|---------------------|----------------|----------------|----------------|-----|----------------|----------------|--------------------|----------------|----------------|-----|----|-----|
| GN 727-27-A-SR | 27 | M 6 | M 12 x 1 | 6.4 | 18 | 4.3 | 38 | 20 | 14 | 10 | 20 | 4.3 | 28 | - | 54 | 19.5 | 37.5 | 22 | 10 | 103 |
| GN 727-27-A-SL | 27 | M 6 | M 12 x 1 | 6.4 | 18 | 4.3 | 38 | 20 | 14 | 10 | 20 | 4.3 | 28 | - | 54 | 19.5 | 37.5 | 22 | 10 | 103 |
| GN 727-27-B-SR | 27 | M 6 | M 12 x 1 | 6.4 | 18 | 4.3 | 38 | 20 | 14 | 10 | 20 | 4.3 | - | 22 | 54 | 19.5 | 37.5 | 22 | 10 | 103 |
| GN 727-27-B-SL | 27 | M 6 | M 12 x 1 | 6.4 | 18 | 4.3 | 38 | 20 | 14 | 10 | 20 | 4.3 | - | 22 | 54 | 19.5 | 37.5 | 22 | 10 | 103 |
| GN 727-27-S1-SR | 27 | M 6 | M 12 x 1 | 6.4 | 18 | 4.3 | 38 | 20 | 14 | 10 | 20 | 4.3 | - | - | 54 | 19.5 | 37.5 | 22 | 10 | 103 |
| GN 727-27-S1-SL | 27 | M 6 | M 12 x 1 | 6.4 | 18 | 4.3 | 38 | 20 | 14 | 10 | 20 | 4.3 | - | - | 54 | 19.5 | 37.5 | 22 | 10 | 103 |
| GN 727-34-A-SR | 34 | M 8 | M 16 x 1 | 8.5 | 23 | 5.3 | 50 | 24 | 18 | 11 | 25 | 4.2 | 36 | - | 67 | 23.5 | 45.5 | 27 | 15 | 206 |
| GN 727-34-A-SL | 34 | M 8 | M 16 x 1 | 8.5 | 23 | 5.3 | 50 | 24 | 18 | 11 | 25 | 4.2 | 36 | - | 67 | 23.5 | 45.5 | 27 | 15 | 206 |
| GN 727-34-B-SR | 34 | M 8 | M 16 x 1 | 8.5 | 23 | 5.3 | 50 | 24 | 18 | 11 | 25 | 4.2 | - | 30 | 67 | 23.5 | 45.5 | 27 | 15 | 206 |
| GN 727-34-B-SL | 34 | M 8 | M 16 x 1 | 8.5 | 23 | 5.3 | 50 | 24 | 18 | 11 | 25 | 4.2 | - | 30 | 67 | 23.5 | 45.5 | 27 | 15 | 206 |
| GN 727-34-S1-SR | 34 | M 8 | M 16 x 1 | 8.5 | 23 | 5.3 | 50 | 24 | 18 | 11 | 25 | 4.2 | - | - | 67 | 23.5 | 45.5 | 27 | 15 | 206 |
| GN 727-34-S1-SL | 34 | M 8 | M 16 x 1 | 8.5 | 23 | 5.3 | 50 | 24 | 18 | 11 | 25 | 4.2 | - | - | 67 | 23.5 | 45.5 | 27 | 15 | 206 |



ELESA and GANTER models all rights reserved in accordance with the law. Always mention the source when reproducing our drawings.

STANDARD MACHINE ELEMENTS WORLDWIDE