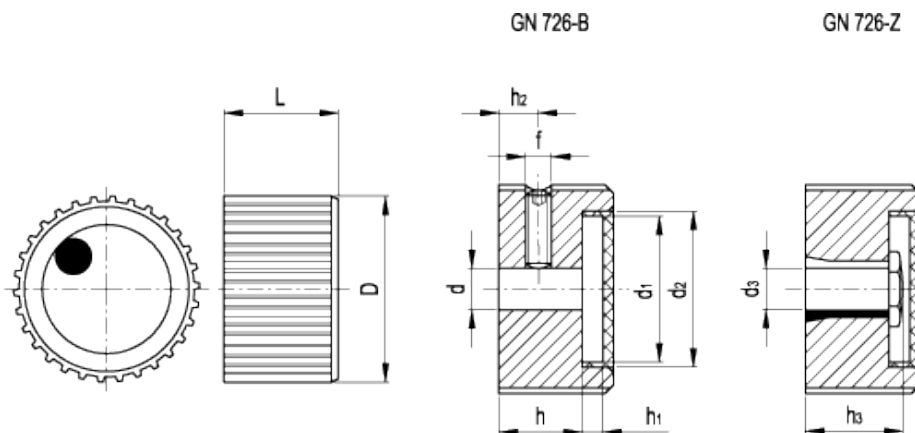


# GN 726

Knurled control knobs



## technical informations

### Material

Knurled aluminium profile, anodised.

### Colour

Black.

### Cap

Acetal resin based (POM) technopolymer, light grey colour. Resistant to solvents, oils, greases and other chemical agents.

- Execution M: black index.
- Execution N: plain.

### Assembly

- Execution B: H8 reamed hole. Assembly by means of a stainless steel transversal grub screw with hexagon socket, supplied assembled. DIN 916 stainless steel pressure socket head screw for fitting to shaft (identification with No.1 grub screw).
- Execution Z: with collet (identification with No.2).

*Special executions on request (For sufficient quantities)*

On the surface of the cap words, marks, graphic symbols, etc... can be tamprinted in colours.

Standard Elements	Main dimensions							Mounting hole				Weight
	Description	D	L	d <sub>1</sub>	d <sub>2</sub>	h <sub>1</sub>	h <sub>2</sub>	f	d <sub>H8</sub>	h	d <sub>3</sub>	
GN 726-22-B5-M-1	22	15	14	16	4.3	5	M4	5	9	-	-	11
GN 726-22-B5-N-1	22	15	14	16	4.3	5	M4	5	9	-	-	11
GN 726-27-B6-M-1	27	17	18	20	4.3	5.5	M4	6	11	-	-	21
GN 726-27-B6-N-1	27	17	18	20	4.3	5.5	M4	6	11	-	-	21
GN 726-27-Z6-M-2	27	17	18	20	4.3	-	-	-	-	6	14	23
GN 726-27-Z6-N-2	27	17	18	20	4.3	-	-	-	-	6	14	23
GN 726-34-B6-M-1	34	20	23	25	4.2	7	M5	6	14	-	-	39
GN 726-34-B6-N-1	34	20	23	25	4.2	7	M5	6	14	-	-	39
GN 726-34-B8-M-1	34	20	23	25	4.2	7	M5	8	14	-	-	38
GN 726-34-B8-N-1	34	20	23	25	4.2	7	M5	8	14	-	-	38
GN 726-34-Z8-M-2	34	20	23	25	4.2	-	-	-	-	8	17	42
GN 726-34-Z8-N-2	34	20	23	25	4.2	-	-	-	-	8	17	42
GN 726-42-B8-M-1	42	23	30	32	4	8.5	M5	8	17	-	-	69
GN 726-42-B8-N-1	42	23	30	32	4	8.5	M5	8	17	-	-	69
GN 726-42-B10-M-1	42	23	30	32	4	8.5	M5	10	17	-	-	67
GN 726-42-B10-N-1	42	23	30	32	4	8.5	M5	10	17	-	-	67
GN 726-42-Z10-M-2	42	23	30	32	4	-	-	-	-	10	20	73
GN 726-42-Z10-N-2	42	23	30	32	4	-	-	-	-	10	20	73

This product had the following design awards:



ELESA and GANTER models all rights reserved in accordance with the law. Always mention the source when reproducing our drawings.

STANDARD MACHINE ELEMENTS WORLDWIDE