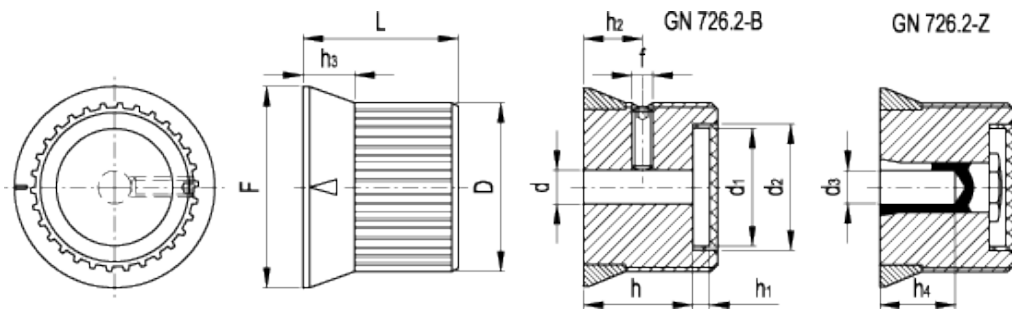


GN 726.2

Knurled control knobs with graduated flange



technical informations

Material

Knurled aluminium profile, anodised.

Colour

Black.

Cap

Acetal resin based (POM) technopolymer, light grey colour. Resistant to solvents, oils, greases and chemical agents.

Flange

Polyamide based (PA) technopolymer:

- Execution A: triangular index (white perimeter).
- Execution B: plain.
- Execution S: white precision graduation. Numbering increases as the knob is turned clockwise, scale from 0 to 9 (20 marks). Graduation and triangular index are laser-engraved: high-precision and perfect readability.

Assembly

- Execution B: H8 reamed hole. Assembly by means of a stainless steel transversal grub screw with hexagon socket, supplied assembled. DIN 916 stainless steel pressure socket head screw for fitting to shaft (identification with No.1 grub screw).
- Execution Z: with collet (identification with No.2).

Special executions on request (For sufficient quantities)

- For other numbering see [Graduations](#).
- On the surface of the cap words, marks, graphic symbols, etc... can be tamprinted in colours.

Standard Elements	Main dimensions									Mounting hole				Weight
Description	D	L	F	d ₁	d ₂	h ₃	h ₁	h ₂	f	d _{H8}	h	d ₃	h ₄	g
GN 726.2-22-B5-A-1	22	22	27.5	14	16	8	4.3	12.5	M4	5	16	-	-	20
GN 726.2-22-B5-B-1	22	22	27.5	14	16	8	4.3	12.5	M4	5	16	-	-	20
GN 726.2-22-B5-S-1	22	22	27.5	14	16	8	4.3	12.5	M4	5	16	-	-	20
GN 726.2-27-B6-A-1	27	26	33.5	18	20	9	4.3	14	M4	6	20	-	-	36
GN 726.2-27-B6-B-1	27	26	33.5	18	20	9	4.3	14	M4	6	20	-	-	36
GN 726.2-27-B6-S-1	27	26	33.5	18	20	9	4.3	14	M4	6	20	-	-	36
GN 726.2-27-Z6-A-2	27	26	33.5	18	20	9	4.3	-	-	-	-	6	14	41
GN 726.2-27-Z6-B-2	27	26	33.5	18	20	9	4.3	-	-	-	-	6	14	41
GN 726.2-27-Z6-S-2	27	26	33.5	18	20	9	4.3	-	-	-	-	6	14	41
GN 726.2-34-B6-A-1	34	30	41	23	25	10	4.2	15	M5	6	24	-	-	64
GN 726.2-34-B6-B-1	34	30	41	23	25	10	4.2	15	M5	6	24	-	-	64
GN 726.2-34-B6-S-1	34	30	41	23	25	10	4.2	15	M5	6	24	-	-	64
GN 726.2-34-B8-A-1	34	30	41	23	25	10	4.2	15	M5	8	24	-	-	63
GN 726.2-34-B8-B-1	34	30	41	23	25	10	4.2	15	M5	8	24	-	-	63
GN 726.2-34-B8-S-1	34	30	41	23	25	10	4.2	15	M5	8	24	-	-	63
GN 726.2-34-Z8-A-2	34	30	41	23	25	10	4.2	-	-	-	-	8	17	70
GN 726.2-34-Z8-B-2	34	30	41	23	25	10	4.2	-	-	-	-	8	17	70
GN 726.2-34-Z8-S-2	34	30	41	23	25	10	4.2	-	-	-	-	8	17	70
GN 726.2-42-B8-A-1	42	34	50	30	32	11	4	16	M5	8	28	-	-	109
GN 726.2-42-B8-B-1	42	34	50	30	32	11	4	16	M5	8	28	-	-	109
GN 726.2-42-B8-S-1	42	34	50	30	32	11	4	16	M5	8	28	-	-	109
GN 726.2-42-B10-A-1	42	34	50	30	32	11	4	16	M5	10	28	-	-	110
GN 726.2-42-B10-B-1	42	34	50	30	32	11	4	16	M5	10	28	-	-	110
GN 726.2-42-B10-S-1	42	34	50	30	32	11	4	16	M5	10	28	-	-	110
GN 726.2-42-Z10-A-2	42	34	50	30	32	11	4	-	-	-	-	10	20	119
GN 726.2-42-Z10-B-2	42	34	50	30	32	11	4	-	-	-	-	10	20	119
GN 726.2-42-Z10-S-2	42	34	50	30	32	11	4	-	-	-	-	10	20	119

This product had the following design awards:



drawings.

STANDARD MACHINE ELEMENTS WORLDWIDE