

Indexing Plungers

Steel / Stainless Steel, with Chamfered Pin, with Flange for Surface Mounting

SPECIFICATION

Types

- Type **C1**: Chamfer, top
- Type **C2**: Chamfer, bottom
- Type **C3**: Chamfer, right
- Type **C4**: Chamfer, left

Identification no.

- No. **1**: Without counter piece
- No. **2**: With counter piece

Guide / Counter piece

- Steel precision casting
Zinc plated, blue passivated **ZB**
- Zinc plated and powder coated
Black, RAL 9005, textured finish **SW**
- Stainless steel precision casting AISI CF-8 **NI**

Pull ring

- Steel precision casting
Zinc plated, blue passivated (for ZB and SW)
- Stainless steel precision casting AISI CF-8 (for NI)

Plunger pin

- Steel, hardened
Zinc plated, blue passivated (for ZB and SW)
- Stainless steel AISI 431, hardened (for NI)

Compression spring

Stainless steel AISI 316Ti

INFORMATION

Indexing plungers GN 724.6 have a plunger pin with square cross-section, a latching surface on one side and a chamfer on the other. When the object to be secured moves towards the chamfer, the plunger pin is pushed back into the guide, allowing grooves and edges to pass over the pin. The plunger pin engages automatically in the direction of the latching surface.



The latching can be released by pulling the pull ring by hand or with a cable or pull rod using a hook. The types with rest position are used when the plunger pin should temporarily not protrude. For this purpose, the pull ring is turned sideways after the plunger pin has been retracted. The ring is held in this position by the catch recess at the top of the guide.

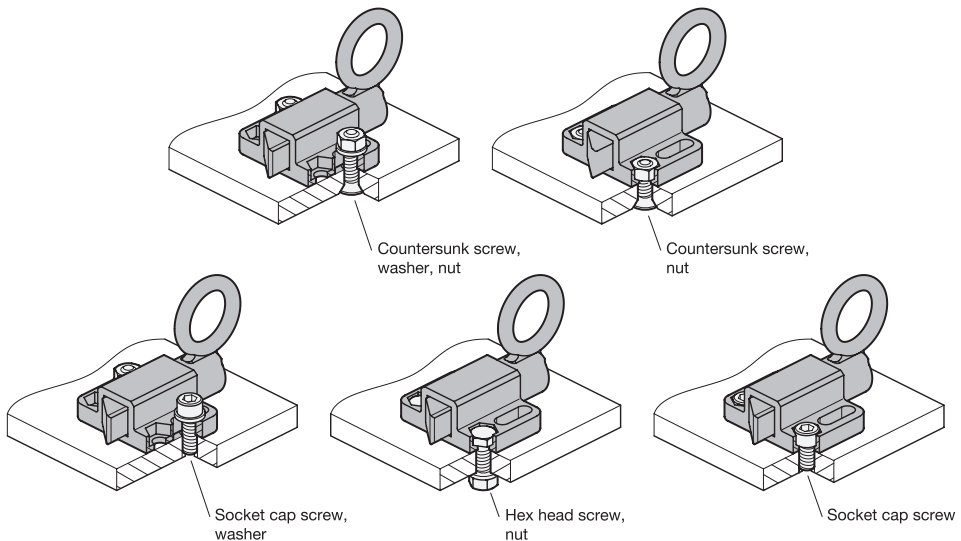
The dimensional tolerances between the pin and the guide have been chosen to ensure functional reliability even in roughly dimensioned applications or in the event of soiling.

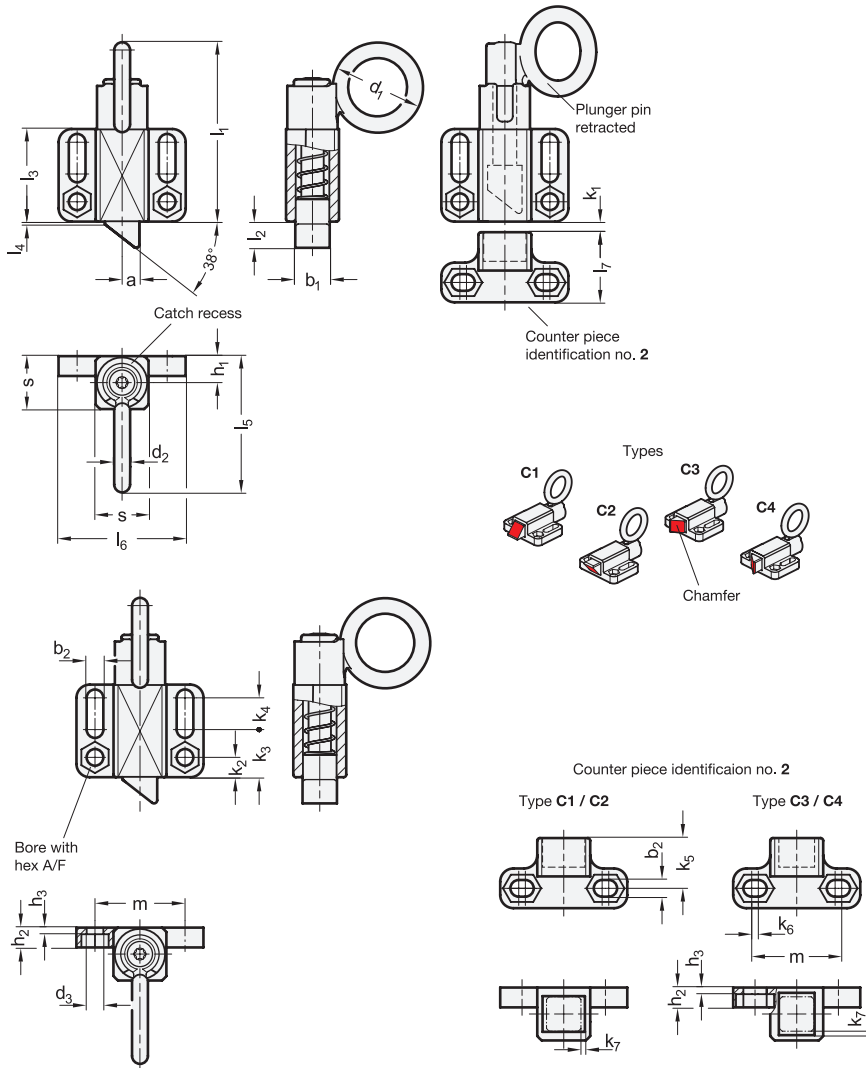
For fastening, slotted or hex mounting holes allow the use of socket cap screws DIN 912 and hex head screws or nuts according to DIN 931 or DIN 934.

TECHNICAL INFORMATION

- Range of Indexing Plungers (see page 816)
- Stainless Steel Characteristics (see page A26)

Application Examples

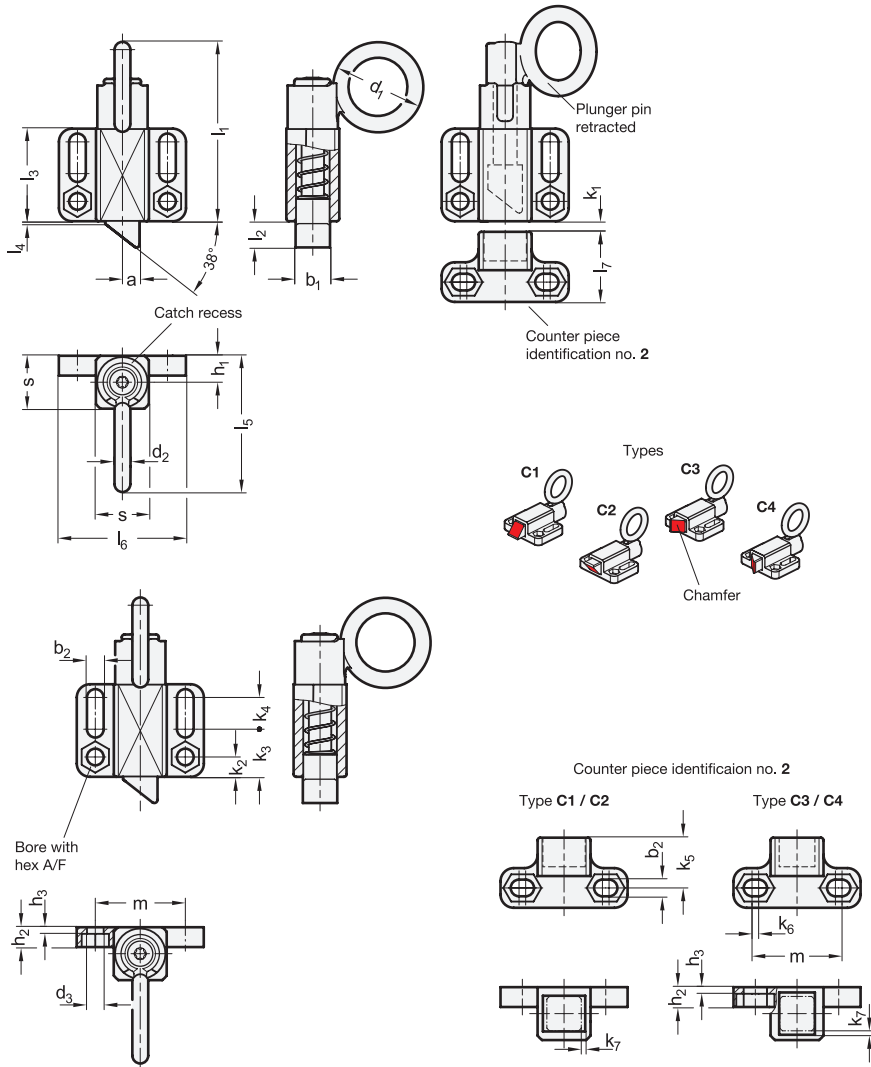




GN 724.6-ST-ZB

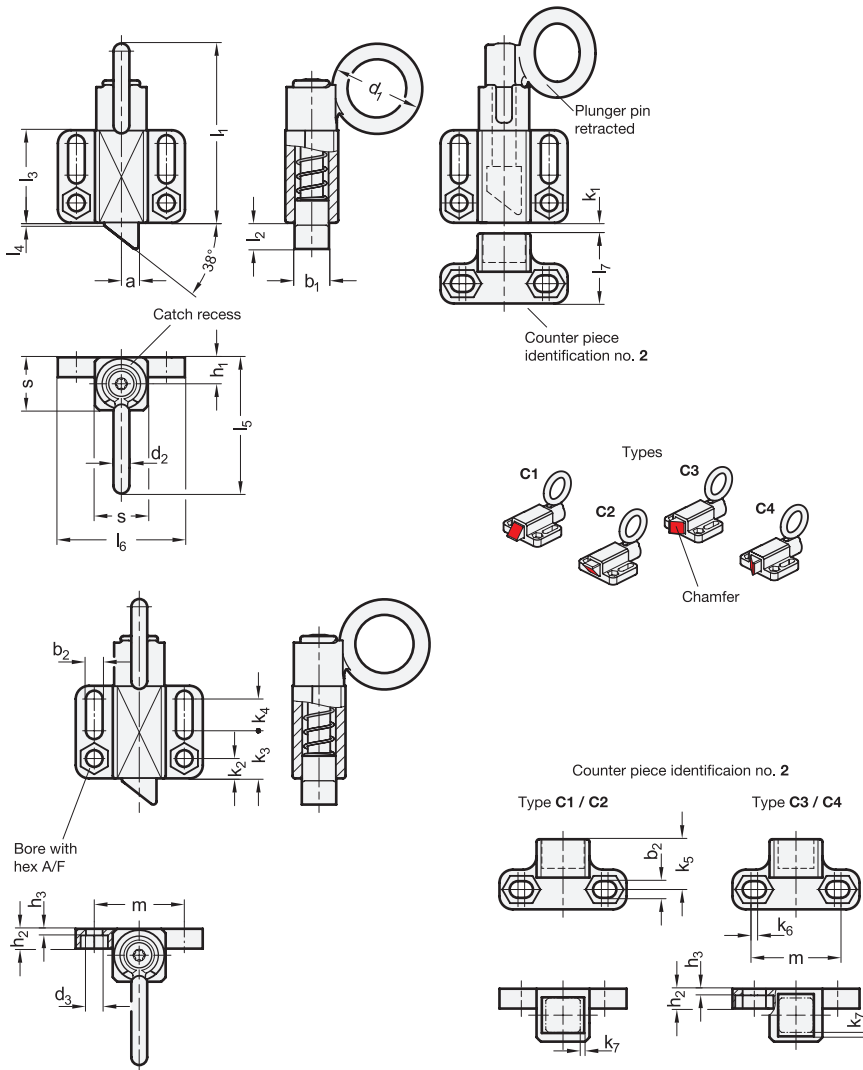
Description	b1	s	a	d1	d2	h1	k1 min.	l1 ≈	l2	l3	l4	l5	l6	l7	Spring load in N ≈ initial	Spring load in N ≈ end	b2	d3 +0.3+0.2	h2	h3	k2	k3	k4	k5	k6	k7	m	A/F	⚖
GN 724.6-13-20-C1-ZB-1	13	20	6.5	34	6	10	-	68	10	35	1	41.5	48	-	14	35	6.5	6.1	7.5	1.5	7.5	18	12	-	-	34	10	185	
GN 724.6-13-20-C2-ZB-1	13	20	6.5	34	6	10	-	68	10	35	1	41.5	48	-	14	35	6.5	6.1	7.5	1.5	7.5	18	12	-	-	34	10	185	
GN 724.6-13-20-C3-ZB-1	13	20	6.5	34	6	10	-	68	10	35	1	41.5	48	-	14	35	6.5	6.1	7.5	1.5	7.5	18	12	-	-	34	10	185	
GN 724.6-13-20-C4-ZB-1	13	20	6.5	34	6	10	-	68	10	35	1	41.5	48	-	14	35	6.5	6.1	7.5	1.5	7.5	18	12	-	-	34	10	185	
GN 724.6-13-20-C1-ZB-2	13	20	6.5	34	6	10	1.5	68	10	35	1	41.5	48	26.5	14	35	6.5	6.1	7.5	1.5	7.5	18	12	19	2.5	1.5	34	10	238
GN 724.6-13-20-C2-ZB-2	13	20	6.5	34	6	10	1.5	68	10	35	1	41.5	48	26.5	14	35	6.5	6.1	7.5	1.5	7.5	18	12	19	2.5	1.5	34	10	238
GN 724.6-13-20-C3-ZB-2	13	20	6.5	34	6	10	1.5	68	10	35	1	41.5	48	26.5	14	35	6.5	6.1	7.5	1.5	7.5	18	12	19	2.5	1.5	34	10	238
GN 724.6-13-20-C4-ZB-2	13	20	6.5	34	6	10	1.5	68	10	35	1	41.5	48	26.5	14	35	6.5	6.1	7.5	1.5	7.5	18	12	19	2.5	1.5	34	10	238
GN 724.6-20-30-C1-ZB-1	20	30	10	48	9	15	-	102	15	54	1.5	60	80	-	22	70	10	10.1	14	5	14	34	10	-	-	55	17	741	
GN 724.6-20-30-C2-ZB-1	20	30	10	48	9	15	-	102	15	54	1.5	60	80	-	22	70	10	10.1	14	5	14	34	10	-	-	55	17	741	
GN 724.6-20-30-C3-ZB-1	20	30	10	48	9	15	-	102	15	54	1.5	60	80	-	22	70	10	10.1	14	5	14	34	10	-	-	55	17	741	
GN 724.6-20-30-C4-ZB-1	20	30	10	48	9	15	-	102	15	54	1.5	60	80	-	22	70	10	10.1	14	5	14	34	10	-	-	55	17	741	
GN 724.6-20-30-C1-ZB-2	20	30	10	48	9	15	2	102	15	54	1.5	60	80	40	22	70	10	10.1	14	5	14	34	10	27.5	3	2	55	17	978
GN 724.6-20-30-C2-ZB-2	20	30	10	48	9	15	2	102	15	54	1.5	60	80	40	22	70	10	10.1	14	5	14	34	10	27.5	3	2	55	17	978
GN 724.6-20-30-C3-ZB-2	20	30	10	48	9	15	2	102	15	54	1.5	60	80	40	22	70	10	10.1	14	5	14	34	10	27.5	3	2	55	17	978
GN 724.6-20-30-C4-ZB-2	20	30	10	48	9	15	2	102	15	54	1.5	60	80	40	22	70	10	10.1	14	5	14	34	10	27.5	3	2	55	17	978





GN 724.6-ST-SW

Description	b1	s	a	d1	d2	h1	k1 min.	l1 ≈	l2	l3	l4	l5	l6	l7	Spring	Spring	b2	d3	h2	h3	k2	k3	k4	k5	k6	k7	m	A/F	⚙️
															load in N ≈ initial	load in N ≈ end													
GN 724.6-13-20-C1-SW-1	13	20	6.5	34	6	10	-	68	10	35	1	41.5	48	-	14	35	6.5	6.1	7.5	1.5	7.5	18	12	-	-	-	34	10	185
GN 724.6-13-20-C2-SW-1	13	20	6.5	34	6	10	-	68	10	35	1	41.5	48	-	14	35	6.5	6.1	7.5	1.5	7.5	18	12	-	-	-	34	10	185
GN 724.6-13-20-C3-SW-1	13	20	6.5	34	6	10	-	68	10	35	1	41.5	48	-	14	35	6.5	6.1	7.5	1.5	7.5	18	12	-	-	-	34	10	185
GN 724.6-13-20-C4-SW-1	13	20	6.5	34	6	10	-	68	10	35	1	41.5	48	-	14	35	6.5	6.1	7.5	1.5	7.5	18	12	-	-	-	34	10	185
GN 724.6-13-20-C1-SW-2	13	20	6.5	34	6	10	1.5	68	10	35	1	41.5	48	26.5	14	35	6.5	6.1	7.5	1.5	7.5	18	12	19	2.5	1.5	34	10	238
GN 724.6-13-20-C2-SW-2	13	20	6.5	34	6	10	1.5	68	10	35	1	41.5	48	26.5	14	35	6.5	6.1	7.5	1.5	7.5	18	12	19	2.5	1.5	34	10	238
GN 724.6-13-20-C3-SW-2	13	20	6.5	34	6	10	1.5	68	10	35	1	41.5	48	26.5	14	35	6.5	6.1	7.5	1.5	7.5	18	12	19	2.5	1.5	34	10	238
GN 724.6-13-20-C4-SW-2	13	20	6.5	34	6	10	1.5	68	10	35	1	41.5	48	26.5	14	35	6.5	6.1	7.5	1.5	7.5	18	12	19	2.5	1.5	34	10	238
GN 724.6-20-30-C1-SW-1	20	30	10	48	9	15	-	102	15	54	1.5	60	80	-	22	70	10	10.1	14	5	14	34	10	-	-	-	55	17	741
GN 724.6-20-30-C2-SW-1	20	30	10	48	9	15	-	102	15	54	1.5	60	80	-	22	70	10	10.1	14	5	14	34	10	-	-	-	55	17	741
GN 724.6-20-30-C3-SW-1	20	30	10	48	9	15	-	102	15	54	1.5	60	80	-	22	70	10	10.1	14	5	14	34	10	-	-	-	55	17	741
GN 724.6-20-30-C4-SW-1	20	30	10	48	9	15	-	102	15	54	1.5	60	80	-	22	70	10	10.1	14	5	14	34	10	-	-	-	55	17	741
GN 724.6-20-30-C1-SW-2	20	30	10	48	9	15	2	102	15	54	1.5	60	80	40	22	70	10	10.1	14	5	14	34	10	27.5	3	2	55	17	978
GN 724.6-20-30-C2-SW-2	20	30	10	48	9	15	2	102	15	54	1.5	60	80	40	22	70	10	10.1	14	5	14	34	10	27.5	3	2	55	17	978
GN 724.6-20-30-C3-SW-2	20	30	10	48	9	15	2	102	15	54	1.5	60	80	40	22	70	10	10.1	14	5	14	34	10	27.5	3	2	55	17	978
GN 724.6-20-30-C4-SW-2	20	30	10	48	9	15	2	102	15	54	1.5	60	80	40	22	70	10	10.1	14	5	14	34	10	27.5	3	2	55	17	978



GN 724.6-NI

STAINLESS STEEL

Description	b1	s	a	d1	d2	h1	k1 min.	l1 ≈	l2	l3	l4	l5	l6	l7	Spring load in N ≈ initial	Spring load in N ≈ end	b2	d3 +0.3+0.2	h2	h3	k2	k3	k4	k5	k6	k7	m	A/F	⚖
GN 724.6-13-20-C1-NI-1	13	20	6.5	34	6	10	-	68	10	35	1	41.5	48	-	14	35	6.5	6.1	7.5	1.5	7.5	18	12	-	-	-	34	10	185
GN 724.6-13-20-C2-NI-1	13	20	6.5	34	6	10	-	68	10	35	1	41.5	48	-	14	35	6.5	6.1	7.5	1.5	7.5	18	12	-	-	-	34	10	185
GN 724.6-13-20-C3-NI-1	13	20	6.5	34	6	10	-	68	10	35	1	41.5	48	-	14	35	6.5	6.1	7.5	1.5	7.5	18	12	-	-	-	34	10	185
GN 724.6-13-20-C4-NI-1	13	20	6.5	34	6	10	-	68	10	35	1	41.5	48	-	14	35	6.5	6.1	7.5	1.5	7.5	18	12	-	-	-	34	10	185
GN 724.6-13-20-C1-NI-2	13	20	6.5	34	6	10	1.5	68	10	35	1	41.5	48	26.5	14	35	6.5	6.1	7.5	1.5	7.5	18	12	19	2.5	1.5	34	10	237
GN 724.6-13-20-C2-NI-2	13	20	6.5	34	6	10	1.5	68	10	35	1	41.5	48	26.5	14	35	6.5	6.1	7.5	1.5	7.5	18	12	19	2.5	1.5	34	10	237
GN 724.6-13-20-C3-NI-2	13	20	6.5	34	6	10	1.5	68	10	35	1	41.5	48	26.5	14	35	6.5	6.1	7.5	1.5	7.5	18	12	19	2.5	1.5	34	10	237
GN 724.6-13-20-C4-NI-2	13	20	6.5	34	6	10	1.5	68	10	35	1	41.5	48	26.5	14	35	6.5	6.1	7.5	1.5	7.5	18	12	19	2.5	1.5	34	10	237
GN 724.6-20-30-C1-NI-1	20	30	10	48	9	15	-	102	15	54	1.5	60	80	-	22	70	10	10.1	14	5	14	34	10	-	-	-	55	17	744
GN 724.6-20-30-C2-NI-1	20	30	10	48	9	15	-	102	15	54	1.5	60	80	-	22	70	10	10.1	14	5	14	34	10	-	-	-	55	17	744
GN 724.6-20-30-C3-NI-1	20	30	10	48	9	15	-	102	15	54	1.5	60	80	-	22	70	10	10.1	14	5	14	34	10	-	-	-	55	17	744
GN 724.6-20-30-C4-NI-1	20	30	10	48	9	15	-	102	15	54	1.5	60	80	-	22	70	10	10.1	14	5	14	34	10	-	-	-	55	17	744
GN 724.6-20-30-C1-NI-2	20	30	10	48	9	15	2	102	15	54	1.5	60	80	40	22	70	10	10.1	14	5	14	34	10	27.5	3	2	55	17	982
GN 724.6-20-30-C2-NI-2	20	30	10	48	9	15	2	102	15	54	1.5	60	80	40	22	70	10	10.1	14	5	14	34	10	27.5	3	2	55	17	982
GN 724.6-20-30-C3-NI-2	20	30	10	48	9	15	2	102	15	54	1.5	60	80	40	22	70	10	10.1	14	5	14	34	10	27.5	3	2	55	17	982
GN 724.6-20-30-C4-NI-2	20	30	10	48	9	15	2	102	15	54	1.5	60	80	40	22	70	10	10.1	14	5	14	34	10	27.5	3	2	55	17	982

