

Indexing plungers

Steel / Stainless Steel, weldable

SPECIFICATION

Types

- Type **A**: with pull ring, mounted
- Type **AU**: with pull ring, unmounted

Version in Steel **ST**

Guide

Steel precision casting **ST**
blackened, weldable

Pull ring

Steel precision casting
zinc plated, blue passivated

Plunger pin

Steel, zinc plated, blue passivated

Spring

Stainless Steel AISI 316Ti

Version in Stainless Steel **A4**

Guide / Pull ring

Stainless Steel precision casting **A4**
weldable, AISI 316

Plunger pin

Stainless Steel AISI 316

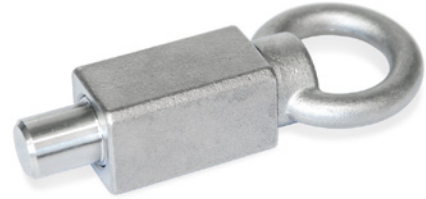
Spring

Stainless Steel AISI 316Ti

Grub screw DIN 915

Steel, zinc plated (for ST)

Stainless Steel A4 (for A4)



INFORMATION

With indexing plungers GN 722.4, the plunger pin is actuated via the pull ring. This is done either manually, with a cable or by means of an extended pull rod with hook. The **ST** version is designed for applications in steel construction, whereas the **A4** stainless steel version is suitable for use in particularly aggressive environments.

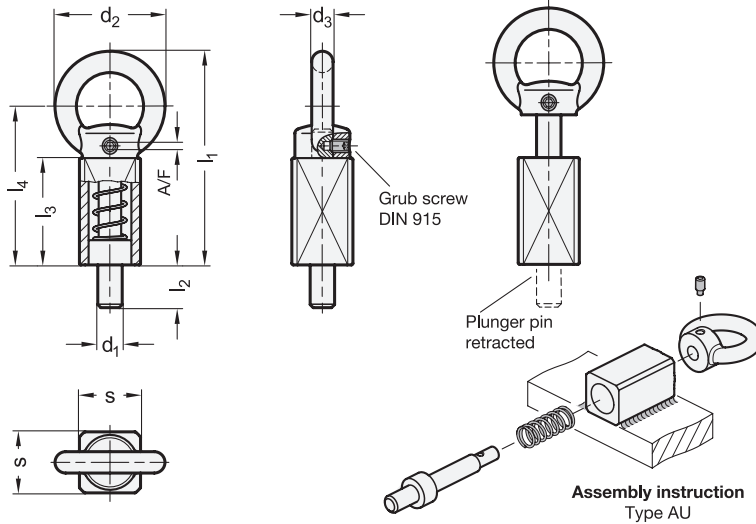
The dimensional tolerances between plunger pin and guide are selected so that the functional reliability is guaranteed even after welding, applying a corrosion protection layer or in case of contamination.

For fastening by welding, the unmounted type AU is particularly recommended to avoid changes to the microstructure of the material due to heating of the spring and plunger pin. In this case, the indexing plunger is assembled only after the surface treatment of the welded guide.

- Range of indexing plungers (see page 738)

TECHNICAL INFORMATION

- Stainless Steel characteristics (see page A26)
- Load rating information (see page A42)



GN 722.4-ST

Description	d1 Pin -0.05/-0.25 Bore +0.1/+0.3	s	d2	d3	l1 ≈	l2	l3	l4	A/F	Spring load in N ≈ initial	Spring load in N ≈ end	⚖
GN 722.4-8-20-A-ST	8	20	36	7	70	14	35	52	2	15	50	132
GN 722.4-10-20-A-ST	10	20	36	7	70	14	35	52	2	15	50	135
GN 722.4-12-20-A-ST	12	20	36	7	70	14	35	52	2	15	50	138
GN 722.4-14-20-A-ST	14	20	36	7	70	14	35	52	2	15	50	143
GN 722.4-16-30-A-ST	16	30	50	10	103	20	54	78	2.5	30	110	582
GN 722.4-20-30-A-ST	20	30	50	10	103	20	54	78	2.5	30	110	600
GN 722.4-8-20-AU-ST	8	20	36	7	70	14	35	52	2	15	50	132
GN 722.4-10-20-AU-ST	10	20	36	7	70	14	35	52	2	15	50	135
GN 722.4-12-20-AU-ST	12	20	36	7	70	14	35	52	2	15	50	138
GN 722.4-14-20-AU-ST	14	20	36	7	70	14	35	52	2	15	50	143
GN 722.4-16-30-AU-ST	16	30	50	10	103	20	54	78	2.5	30	110	582
GN 722.4-20-30-AU-ST	20	30	50	10	103	20	54	78	2.5	30	110	600

GN 722.4-A4

STAINLESS STEEL

Description	d1 Pin -0.05/-0.25 Bore +0.1/+0.3	s	d2	d3	l1 ≈	l2	l3	l4	A/F	Spring load in N ≈ initial	Spring load in N ≈ end	⚖
GN 722.4-8-20-A-A4	8	20	36	7	70	14	35	52	2	15	50	180
GN 722.4-10-20-A-A4	10	20	36	7	70	14	35	52	2	15	50	183
GN 722.4-12-20-A-A4	12	20	36	7	70	14	35	52	2	15	50	180
GN 722.4-14-20-A-A4	14	20	36	7	70	14	35	52	2	15	50	186
GN 722.4-16-30-A-A4	16	30	50	10	103	20	54	78	2.5	30	110	160
GN 722.4-20-30-A-A4	20	30	50	10	103	20	54	78	2.5	30	110	182
GN 722.4-8-20-AU-A4	8	20	36	7	70	14	35	52	2	15	50	181
GN 722.4-10-20-AU-A4	10	20	36	7	70	14	35	52	2	15	50	180
GN 722.4-12-20-AU-A4	12	20	36	7	70	14	35	52	2	15	50	160
GN 722.4-14-20-AU-A4	14	20	36	7	70	14	35	52	2	15	50	180
GN 722.4-16-30-AU-A4	16	30	50	10	103	20	54	78	2.5	30	110	181
GN 722.4-20-30-AU-A4	20	30	50	10	103	20	54	78	2.5	30	110	180

