

Spring latches

Steel / Stainless Steel, with flange for surface mounting, right-angled to the plunger pin

SPECIFICATION

Types

- Type **A**: Latch position right-angled to fixing holes
- Type **B**: Latch position parallel to fixing holes

Version in Steel ST

Guide
Steel precision casting
zinc plated, blue passivated **ZB**
zinc plated and plastic coated
black, textured finish **SW**

Latch
zinc plated, blue passivated

Plunger pin
Steel, zinc plated, blue passivated

Spring
Stainless Steel AISI 316Ti

Version in Stainless Steel A4

Guide / Latch
Stainless Steel precision casting **A4**
AISI 316

Plunger Pin
Stainless Steel AISI 316

Spring
Stainless Steel AISI 316Ti

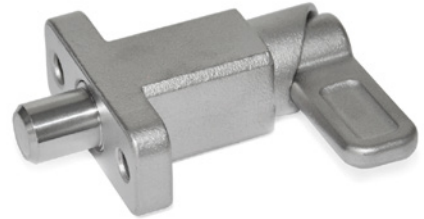
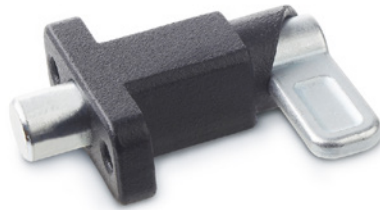
INFORMATION

With spring latches GN 722.2, the plunger pin is retracted over the curve of the guide by a 180° turn of the latch. The notch at the upper end of the curve causes the latch to be held in place if the plunger pin needs to be kept temporarily from protruding. The **ZB** and **SW** versions are designed for applications in steel construction, whereas the A4 stainless steel version is suitable for use in particularly aggressive environments.

The dimensional tolerances between plunger pin and guide are selected so that the functional reliability is guaranteed even after welding, applying a corrosion protection layer or in case of contamination.

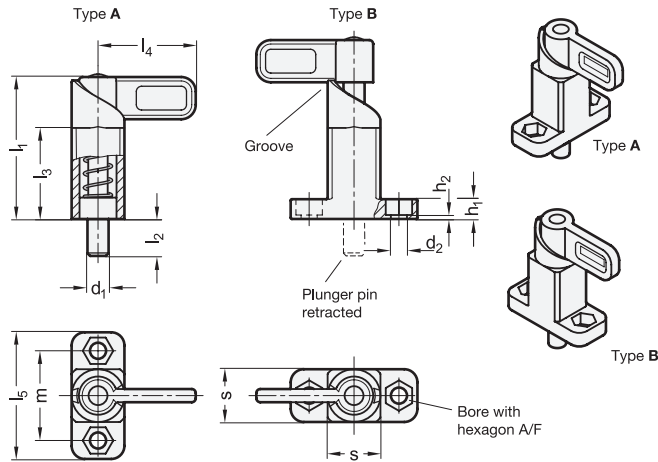
The hexagonal mounting holes allow the use of socket cap screws DIN 912 and hexagon screws or nuts according to DIN 931 or DIN 934.

- Range of cam action indexing plungers (see page 738)



TECHNICAL INFORMATION

- Stainless Steel characteristics (see page A26)
- Load rating information (see page A42)



GN 722.2-ST

Description	d1 Pin -0.05/-0.25 Bore +0.1/+0.3	s	d2 +0.2	h1	h2	l1 ≈	l2	l3	l4	l5	m	A/F	Spring load in N ≈ initial	Spring load in N ≈ end	⚖
GN 722.2-8-20-A-SW	8	20	6.1	7.5	1.5	54	14	35	37	48	34	10	16	55	160
GN 722.2-8-20-A-ZB	8	20	6.1	7.5	1.5	54	14	35	37	48	34	10	16	55	160
GN 722.2-10-20-A-SW	10	20	6.1	7.5	1.5	54	14	35	37	48	34	10	16	55	168
GN 722.2-10-20-A-ZB	10	20	6.1	7.5	1.5	54	14	35	37	48	34	10	16	55	168
GN 722.2-12-20-A-SW	12	20	6.1	7.5	1.5	54	14	35	37	48	34	10	16	55	172
GN 722.2-12-20-A-ZB	12	20	6.1	7.5	1.5	54	14	35	37	48	34	10	16	55	172
GN 722.2-14-20-A-SW	14	20	6.1	7.5	1.5	54	14	35	37	48	34	10	16	55	175
GN 722.2-14-20-A-ZB	14	20	6.1	7.5	1.5	54	14	35	37	48	34	10	16	55	175
GN 722.2-16-30-A-SW	16	30	10.1	15	5	83	20	54	55	80	55	17	30	110	727
GN 722.2-16-30-A-ZB	16	30	10.1	15	5	83	20	54	55	80	55	17	30	110	727
GN 722.2-20-30-A-SW	20	30	10.1	15	5	83	20	54	55	80	55	17	30	110	744
GN 722.2-20-30-A-ZB	20	30	10.1	15	5	83	20	54	55	80	55	17	30	110	744
GN 722.2-8-20-B-SW	8	20	6.1	7.5	1.5	54	14	35	37	48	34	10	16	55	160
GN 722.2-8-20-B-ZB	8	20	6.1	7.5	1.5	54	14	35	37	48	34	10	16	55	160
GN 722.2-10-20-B-SW	10	20	6.1	7.5	1.5	54	14	35	37	48	34	10	16	55	168
GN 722.2-10-20-B-ZB	10	20	6.1	7.5	1.5	54	14	35	37	48	34	10	16	55	168
GN 722.2-12-20-B-SW	12	20	6.1	7.5	1.5	54	14	35	37	48	34	10	16	55	172
GN 722.2-12-20-B-ZB	12	20	6.1	7.5	1.5	54	14	35	37	48	34	10	16	55	172
GN 722.2-14-20-B-SW	14	20	6.1	7.5	1.5	54	14	35	37	48	34	10	16	55	175
GN 722.2-14-20-B-ZB	14	20	6.1	7.5	1.5	54	14	35	37	48	34	10	16	55	175
GN 722.2-16-30-B-SW	16	30	10.1	15	5	83	20	54	55	80	55	17	30	110	727
GN 722.2-16-30-B-ZB	16	30	10.1	15	5	83	20	54	55	80	55	17	30	110	727
GN 722.2-20-30-B-SW	20	30	10.1	15	5	83	20	54	55	80	55	17	30	110	744
GN 722.2-20-30-B-ZB	20	30	10.1	15	5	83	20	54	55	80	55	17	30	110	744

GN 722.2-A4

STAINLESS STEEL

Description	d1 Pin -0.05/-0.25 Bore +0.1/+0.3	s	d2 +0.2	h1	h2	l1 ≈	l2	l3	l4	l5	m	A/F	Spring load in N ≈ initial	Spring load in N ≈ end	⚖
GN 722.2-8-20-A-A4	8	20	6.1	7.5	1.5	54	14	35	37	48	34	10	16	45	166
GN 722.2-10-20-A-A4	10	20	6.1	7.5	1.5	54	14	35	37	48	34	10	16	45	169
GN 722.2-12-20-A-A4	12	20	6.1	7.5	1.5	54	14	35	37	48	34	10	16	45	174
GN 722.2-14-20-A-A4	14	20	6.1	7.5	1.5	54	14	35	37	48	34	10	16	45	180
GN 722.2-16-30-A-A4	16	30	10.1	15	5	83	20	54	55	80	55	17	30	110	726
GN 722.2-20-30-A-A4	20	30	10.1	15	5	83	20	54	55	80	55	17	30	110	757
GN 722.2-8-20-B-A4	8	20	6.1	7.5	1.5	54	14	35	37	48	34	10	16	45	166
GN 722.2-10-20-B-A4	10	20	6.1	7.5	1.5	54	14	35	37	48	34	10	16	45	169
GN 722.2-12-20-B-A4	12	20	6.1	7.5	1.5	54	14	35	37	48	34	10	16	45	174
GN 722.2-14-20-B-A4	14	20	6.1	7.5	1.5	54	14	35	37	48	34	10	16	45	180
GN 722.2-16-30-B-A4	16	30	10.1	15	5	83	20	54	55	80	55	17	30	110	726
GN 722.2-20-30-B-A4	20	30	10.1	15	5	83	20	54	55	80	55	17	30	110	757

