

GN 721

Cam action indexing plungers

with 180° limit stop, without locking function



Specification

Types

- Type **RA**: Right-hand lock
- Type **RB**: Right-hand lock, with plastic cover
- Type **RAK**: Right-hand lock, with lock nut
- Type **RBK**: Right-hand lock, with plastic cover, with lock nut
- Type **LA**: Left-hand lock
- Type **LB**: Left-hand lock, with plastic cover
- Type **LAK**: Left-hand lock, with lock nut
- Type **LBK**: Left-hand lock, with plastic cover, with lock nut

Steel

- blackened
- Pin nitrided

Spring

Stainless Steel AISI 301

Plastic cover

Technopolymer (Polyamide PA)

black, matte

Information

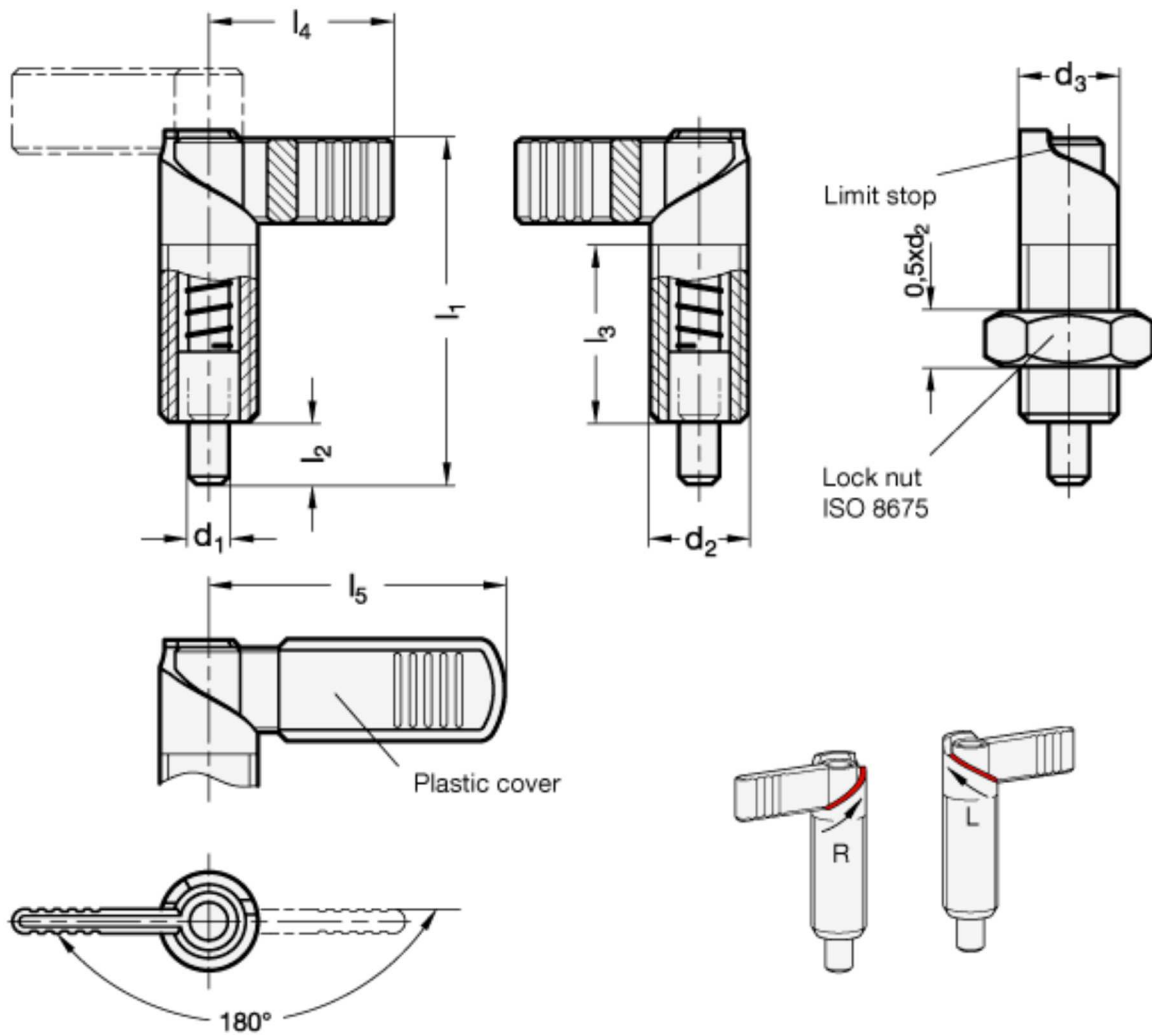
For GN 721 cam action indexing plungers the indexing plunger pin is withdrawn by turning the lock by 180°.

When the cam action indexing plungers are positioned symmetrically, the left or right handed types allow for a practical, i.e. equal, direction setting of the lock.

- [Range of cam action indexing plungers](#)

Technical Information

- [ISO-Fundamental Tolerances](#)
- [Stainless Steel characteristics](#)
- [Load rating information](#)



Description	d ₁ Pin -0.02/-0.04 Bore H7	d ₂	d ₃	l ₁	l ₂	l ₃ +1.5	l ₄	l ₅	Spring load in N ≈ initial	Spring load in N ≈ end	Weight
GN 721-5-M10x1-RA	5	M10x1	10	37.5	6	19	21	-	7	20	18
GN 721-6-M12x1,5-RA	6	M12x1.5	12	47	8	26	26	-	8	18	30
GN 721-8-M16x1,5-RA	8	M16x1.5	16	56	10	30	32	-	11	29	64
GN 721-10-M20x1,5-RA	10	M20x1.5	20	69	12	37	37	-	21	57	129
GN 721-6-M12x1,5-RB	6	M12x1.5	12	47	8	26	26	32	8	18	31
GN 721-8-M16x1,5-RB	8	M16x1.5	16	56	10	30	32	42	11	29	66
GN 721-10-M20x1,5-RB	10	M20x1.5	20	69	12	37	37	52	21	57	133
GN 721-5-M10x1-RAK	5	M10x1	10	37.5	6	19	21	-	7	20	23
GN 721-6-M12x1,5-RAK	6	M12x1.5	12	47	8	26	26	-	8	18	38
GN 721-8-M16x1,5-RAK	8	M16x1.5	16	56	10	30	32	-	11	29	81
GN 721-10-M20x1,5-RAK	10	M20x1.5	20	69	12	37	37	-	21	57	162
GN 721-6-M12x1,5-RBK	6	M12x1.5	12	47	8	26	26	32	8	18	39
GN 721-8-M16x1,5-RBK	8	M16x1.5	16	56	10	30	32	42	11	29	83
GN 721-10-M20x1,5-RBK	10	M20x1.5	20	69	12	37	37	52	21	57	167
GN 721-5-M10x1-LA	5	M10x1	10	37.5	6	19	21	-	7	20	18
GN 721-6-M12x1,5-LA	6	M12x1.5	12	47	8	26	26	-	8	18	31
GN 721-8-M16x1,5-LA	8	M16x1.5	16	56	10	30	32	-	11	29	65
GN 721-10-M20x1,5-LA	10	M20x1.5	20	69	12	37	37	-	21	57	130
GN 721-6-M12x1,5-LB	6	M12x1.5	12	47	8	26	26	32	8	18	30
GN 721-8-M16x1,5-LB	8	M16x1.5	16	56	10	30	32	42	11	29	67
GN 721-10-M20x1,5-LB	10	M20x1.5	20	69	12	37	37	52	21	57	133
GN 721-5-M10x1-LAK	5	M10x1	10	37.5	6	19	21	-	7	20	23
GN 721-6-M12x1,5-LAK	6	M12x1.5	12	47	8	26	26	-	8	18	38
GN 721-8-M16x1,5-LAK	8	M16x1.5	16	56	10	30	32	-	11	29	82
GN 721-10-M20x1,5-LAK	10	M20x1.5	20	69	12	37	37	-	21	57	163
GN 721-6-M12x1,5-LBK	6	M12x1.5	12	47	8	26	26	32	8	18	39
GN 721-8-M16x1,5-LBK	8	M16x1.5	16	56	10	30	32	42	11	29	84
GN 721-10-M20x1,5-LBK	10	M20x1.5	20	69	12	37	37	52	21	57	166