

ELESA+GANTER® website uses cookies to provide a more effective navigation without storing any personal information. [Read more](#)
[I accept](#)



GN 721.6

Stainless Steel-Cam action indexing plungers

with 180° limit stop, with locking function



Specification

Types

- Type **RA**: Right-hand lock
- Type **RB**: Right-hand lock, with plastic cover
- Type **RAK**: Right-hand lock, with lock nut
- Type **RBK**: Right-hand lock, with plastic cover, with lock nut
- Type **LA**: Left-hand lock
- Type **LB**: Left-hand lock, with plastic cover
- Type **LAK**: Left-hand lock, with lock nut
- Type **LBK**: Left-hand lock, with plastic cover, with lock nut

Stainless Steel AISI 303

Spring

Stainless Steel AISI 301

Plastic cover

Technopolymer (Polyamide PA)

black, matte

Information

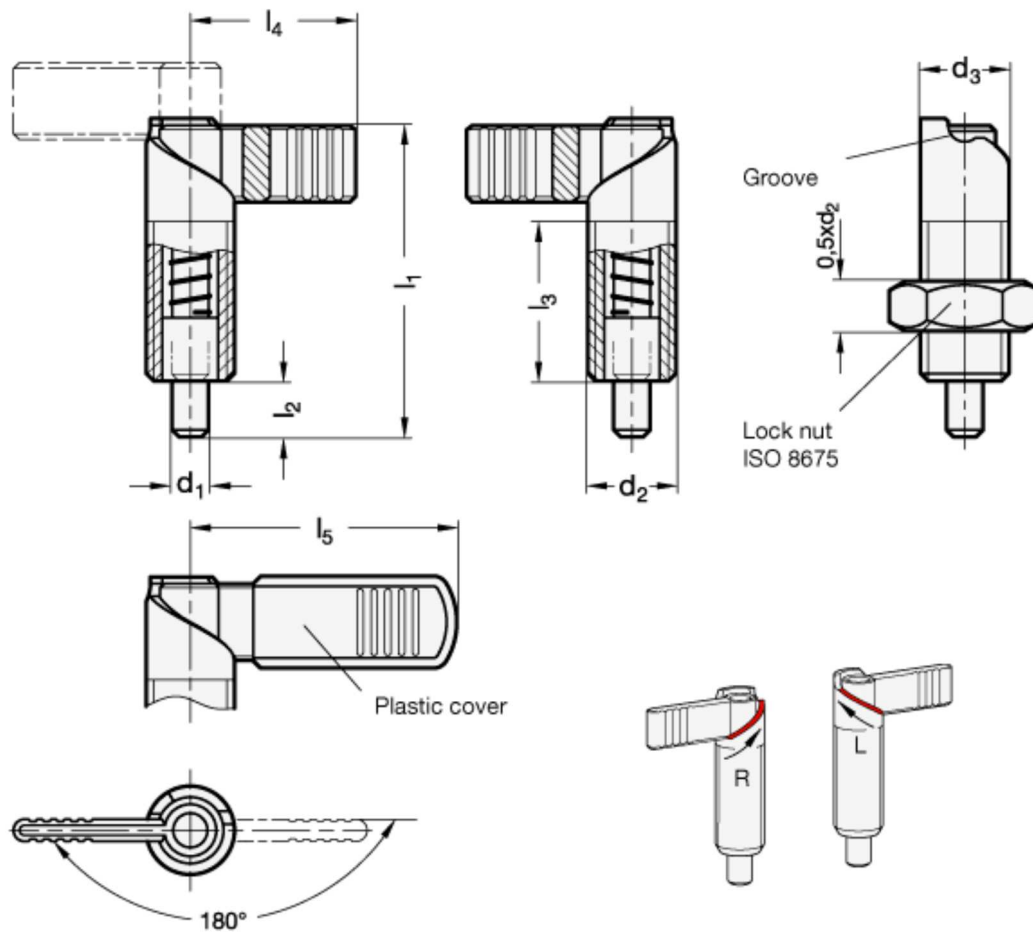
For GN 721.6 Stainless Steel-Cam action indexing plungers the indexing plunger pin is withdrawn by turning the lock by 180°.

When the cam action indexing plungers are positioned symmetrically, the left or right handed types allow for a practical, i.e. equal, direction setting of the lock.

- [Range of cam action indexing plungers](#)

Technical Information

- [ISO-Fundamental Tolerances](#)
- [Stainless Steel characteristics](#)



Description	d ₁ Plunger -0.02/-0.04 Bore H7	d ₂	d ₃	l ₁	l ₂	l ₃ +1.5	l ₄	l ₅	Spring load in N ≈ initial	Spring load in N ≈ end	Weight
GN 721.6-5-M10x1-RA	5	M10x1	10	37,5	6	19	21	-	7	20	18
GN 721.6-6-M12x1,5-RA	6	M12x1.5	12	47	8	26	26	-	9	21	31
GN 721.6-8-M16x1,5-RA	8	M16x1.5	16	56	10	30	32	-	12	32	65
GN 721.6-10-M20x1,5-RA	10	M20x1.5	20	69	12	37	37	-	21	58	130
GN 721.6-6-M12x1,5-RB	6	M12x1.5	12	47	8	26	26	32	9	21	31
GN 721.6-8-M16x1,5-RB	8	M16x1.5	16	56	10	30	32	42	12	32	68
GN 721.6-10-M20x1,5-RB	10	M20x1.5	20	69	12	37	37	52	21	58	133
GN 721.6-5-M10x1-RAK	5	M10x1	10	37,5	6	19	21	-	7	20	24
GN 721.6-6-M12x1,5-RAK	6	M12x1.5	12	47	8	26	26	-	9	21	38
GN 721.6-8-M16x1,5-RAK	8	M16x1.5	16	56	10	30	32	-	12	32	83
GN 721.6-10-M20x1,5-RAK	10	M20x1.5	20	69	12	37	37	-	21	58	162
GN 721.6-6-M12x1,5-RBK	6	M12x1.5	12	47	8	26	26	32	9	21	39
GN 721.6-8-M16x1,5-RBK	8	M16x1.5	16	56	10	30	32	42	12	32	85
GN 721.6-10-M20x1,5-RBK	10	M20x1.5	20	69	12	37	37	52	21	58	165
GN 721.6-5-M10x1-LA	5	M10x1	10	37,5	6	19	21	-	7	20	18
GN 721.6-6-M12x1,5-LA	6	M12x1.5	12	47	8	26	26	-	9	21	31
GN 721.6-8-M16x1,5-LA	8	M16x1.5	16	56	10	30	32	-	12	32	66
GN 721.6-10-M20x1,5-LA	10	M20x1.5	20	69	12	37	37	-	21	58	129
GN 721.6-6-M12x1,5-LB	6	M12x1.5	12	47	8	26	26	32	9	21	31
GN 721.6-8-M16x1,5-LB	8	M16x1.5	16	56	10	30	32	42	12	32	68
GN 721.6-10-M20x1,5-LB	10	M20x1.5	20	69	12	37	37	52	21	58	133
GN 721.6-5-M10x1-LAK	5	M10x1	10	37,5	6	19	21	-	7	20	24
GN 721.6-6-M12x1,5-LAK	6	M12x1.5	12	47	8	26	26	-	9	21	38
GN 721.6-8-M16x1,5-LAK	8	M16x1.5	16	56	10	30	32	-	12	32	83
GN 721.6-10-M20x1,5-LAK	10	M20x1.5	20	69	12	37	37	-	21	58	162
GN 721.6-6-M12x1,5-LBK	6	M12x1.5	12	47	8	26	26	32	9	21	39
GN 721.6-8-M16x1,5-LBK	8	M16x1.5	16	56	10	30	32	42	12	32	85
GN 721.6-10-M20x1,5-LBK	10	M20x1.5	20	69	12	37	37	52	21	58	165