



# GN 717

## Indexing plungers

Steel / Stainless Steel, with and without rest position



### Specification

#### Types

- Type **A**: with lifting ring, without lock nut
- Type **AK**: with lifting ring, with lock nut
- Type **B**: without rest position (Knob), without lock nut
- Type **BK**: without rest position (Knob), with lock nut
- Type **C**: with rest position (Knob), without lock nut
- Type **CK**: with rest position (Knob), with lock nut
- Type **D**: with wire loop, without lock nut
- Type **DK**: with wire loop, with lock nut

#### Threaded body

- Version in Steel zinc plated, blue passivated **ST**
- Version in Stainless Steel AISI 303 **NI**

#### Pin

Stainless Steel AISI 303

#### Spring

Stainless Steel AISI 301

#### Lifting ring / Wire loop

Stainless Steel AISI 301

#### Knob Plastic (Polyamide PA)

- black, matt
- not removable

### Information

GN 717 Indexing plungers are characterized by small dimensions. These indexing plungers are universally applicable due to their prevention of misalignments and positioning errors of the mating indexing bores.

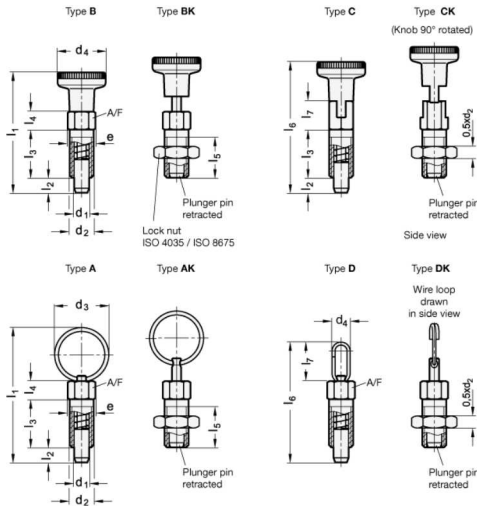
The type C / CK with rest position are used for such applications where the plunger has to stay in its retracted position.

During assembly, the max. tightening torques shown in the table should not be exceeded when securing the lock nut.

- [Range of indexing plungers](#)

### Technical information

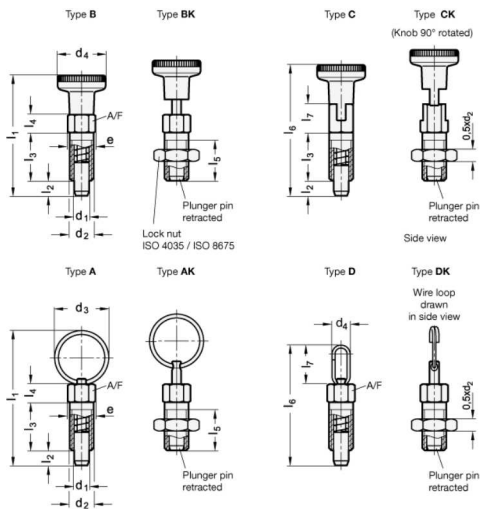
- [ISO-Fundamental Tolerances](#)
- [Stainless Steel characteristics](#)
- [Plastic characteristics](#)
- [Load rating information](#)



## GN 717

Description	d <sub>1</sub> Bore +0.03/+0.08 Pin 0.05	d <sub>2</sub>	d <sub>3</sub>	d <sub>4</sub>	e	l <sub>1</sub>	l <sub>2</sub>	l <sub>3</sub>	l <sub>4</sub>	l <sub>5</sub> min.	l <sub>6</sub>	l <sub>7</sub>	A/F	Max. tightening torque in Nm
GN 717-3-M6-A-ST	3	M 6	14	-	6.9	30	3.5	12	4.5	10	-	-	6	2
GN 717-3-M6x0,75-A-ST	3	M 6 x 0.75	14	-	6.9	30	3.5	12	4.5	10	-	-	6	3
GN 717-4-M6-A-ST	4	M 6	14	-	6.9	30.5	4	12	4.5	10	-	-	6	2
GN 717-4-M8x1-A-ST	4	M 8 x 1	14	-	9.2	39.5	4.5	16	6	13.5	-	-	8	8
GN 717-5-M8-A-ST	5	M 8	18	-	9.2	40	5	16	6	13.5	-	-	8	7
GN 717-5-M8x1-A-ST	5	M 8 x 1	18	-	9.2	40	5	16	6	13.5	-	-	8	7
GN 717-5-M10x1-A-ST	5	M 10 x 1	18	-	11.5	42.5	5	16	6	13.5	-	-	10	22
GN 717-6-M10-A-ST	6	M 10	24	-	11.5	49	6	20	7.5	17	-	-	10	15
GN 717-6-M12x1,5-A-ST	6	M 12 x 1.5	24	-	13.8	52	6	20	7.5	16.5	-	-	12	38
GN 717-8-M12-A-ST	8	M 12	30	-	13.8	59	8	24	9	20.5	-	-	12	20
GN 717-8-M12x1,5-A-ST	8	M 12 x 1.5	30	-	13.8	59	8	24	9	20.5	-	-	12	20
GN 717-8-M16x1,5-A-ST	8	M 16 x 1.5	30	-	19.6	63.5	8	24	9	20.5	-	-	17	80
GN 717-10-M16x1,5-A-ST	10	M 16 x 1.5	30	-	19.6	67.5	10	26	9	22.5	-	-	17	80
GN 717-3-M6-AK-ST	3	M 6	14	-	6.9	30	3.5	12	4.5	10	-	-	6	2
GN 717-3-M6x0,75-AK-ST	3	M 6 x 0.75	14	-	6.9	30	3.5	12	4.5	10	-	-	6	3
GN 717-4-M6-AK-ST	4	M 6	14	-	6.9	30.5	4	12	4.5	10	-	-	6	2
GN 717-4-M8x1-AK-ST	4	M 8 x 1	18	-	9.2	39.5	4.5	16	6	13.5	-	-	8	8
GN 717-5-M8-AK-ST	5	M 8	18	-	9.2	40	5	16	6	13.5	-	-	8	7
GN 717-5-M8x1-AK-ST	5	M 8 x 1	18	-	9.2	40	5	16	6	13.5	-	-	8	7
GN 717-5-M10x1-AK-ST	5	M 10 x 1	18	-	11.5	42.5	5	16	6	13.5	-	-	10	22
GN 717-6-M10-AK-ST	6	M 10	24	-	11.5	49	6	20	7.5	17	-	-	10	15
GN 717-6-M12x1,5-AK-ST	6	M 12 x 1.5	24	-	13.8	52	6	20	7.5	16.5	-	-	12	38
GN 717-8-M12-AK-ST	8	M 12	30	-	13.8	59	8	24	9	20.5	-	-	12	20
GN 717-8-M12x1,5-AK-ST	8	M 12 x 1.5	30	-	13.8	59	8	24	9	20.5	-	-	12	20
GN 717-8-M16x1,5-AK-ST	8	M 16 x 1.5	30	-	19.6	63.5	8	24	9	20.5	-	-	17	80
GN 717-10-M16x1,5-AK-ST	10	M 16 x 1.5	30	-	19.6	67.5	10	26	9	22.5	-	-	17	80
GN 717-3-M6-B-ST	3	M 6	-	12	6.9	30	3.5	12	4.5	10	-	-	6	2
GN 717-3-M6x0,75-B-ST	3	M 6 x 0.75	-	12	6.9	30	3.5	12	4.5	10	-	-	6	3
GN 717-4-M6-B-ST	4	M 6	-	12	6.9	30.5	4	12	4.5	10	-	-	6	2
GN 717-4-M8x1-B-ST	4	M 8 x 1	-	16	9.2	39.5	4.5	16	6	13.5	-	-	8	8
GN 717-5-M8-B-ST	5	M 8	-	16	9.2	40	5	16	6	13.5	-	-	8	7
GN 717-5-M8x1-B-ST	5	M 8 x 1	-	16	9.2	40	5	16	6	13.5	-	-	8	7
GN 717-5-M10x1-B-ST	5	M 10 x 1	-	18	11.5	42.5	5	16	6	13.5	-	-	10	22
GN 717-6-M10-B-ST	6	M 10	-	18	11.5	49	6	20	7.5	17	-	-	10	15
GN 717-6-M12x1,5-B-ST	6	M 12 x 1.5	-	21	13.8	52	6	20	7.5	16.5	-	-	12	38
GN 717-8-M12-B-ST	8	M 12	-	21	13.8	59	8	24	9	20.5	-	-	12	20
GN 717-8-M12x1,5-B-ST	8	M 12 x 1.5	-	21	13.8	59	8	24	9	20.5	-	-	12	20
GN 717-8-M16x1,5-B-ST	8	M 16 x 1.5	-	25	19.6	63.5	8	24	9	20.5	-	-	17	80
GN 717-10-M16x1,5-B-ST	10	M 16 x 1.5	-	25	19.6	67.5	10	26	9	22.5	-	-	17	80
GN 717-3-M6-BK-ST	3	M 6	-	12	6.9	30	3.5	12	4.5	10	-	-	6	2
GN 717-3-M6x0,75-BK-ST	3	M 6 x 0.75	-	12	6.9	30	3.5	12	4.5	10	-	-	6	3
GN 717-4-M6-BK-ST	4	M 6	-	12	6.9	30.5	4	12	4.5	10	-	-	6	2
GN 717-4-M8x1-BK-ST	4	M 8 x 1	-	16	9.2	39.5	4.5	16	6	13.5	-	-	8	8
GN 717-5-M8-BK-ST	5	M 8	-	16	9.2	40	5	16	6	13.5	-	-	8	7
GN 717-5-M8x1-BK-ST	5	M 8 x 1	-	16	9.2	40	5	16	6	13.5	-	-	8	7
GN 717-5-M10x1-BK-ST	5	M 10 x 1	-	18	11.5	42.5	5	16	6	13.5	-	-	10	22
GN 717-6-M10-BK-ST	6	M 10	-	18	11.5	49	6	20	7.5	17	-	-	10	15
GN 717-6-M12x1,5-BK-ST	6	M 12 x 1.5	-	21	13.8	52	6	20	7.5	16.5	-	-	12	38
GN 717-8-M12-BK-ST	8	M 12	-	21	13.8	59	8	24	9	20.5	-	-	12	20
GN 717-8-M12x1,5-BK-ST	8	M 12 x 1.5	-	21	13.8	59	8	24	9	20.5	-	-	12	20
GN 717-8-M16x1,5-BK-ST	8	M 16 x 1.5	-	25	19.6	63.5	8	24	9	20.5	-	-	17	80
GN 717-10-M16x1,5-BK-ST	10	M 16 x 1.5	-	25	19.6	67.5	10	26	9	22.5	-	-	17	80
GN 717-3-M6-C-ST	3	M 6	-	12	6.9	-	3.5	12	-	10	32.5	7	6	2
GN 717-3-M6x0,75-C-ST	3	M 6 x 0.75	-	12	6.9	-	3.5	12	-	10	32.5	7	6	3
GN 717-4-M6-C-ST	4	M 6	-	12	6.9	-	4	12	-	10	33	7	6	2
GN 717-4-M8x1-C-ST	4	M 8 x 1	-	16	9.2	-	4.5	16	-	13.5	43	9.5	8	8
GN 717-5-M8-C-ST	5	M 8	-	16	9.2	-	5	16	-	13.5	43.5	9.5	8	7
GN 717-5-M8x1-C-ST	5	M 8 x 1	-	16	9.2	-	5	16	-	13.5	43.5	9.5	8	7
GN 717-5-M10x1-C-ST	5	M 10 x 1	-	18	11.5	-	5	16	-	13.5	46	9.5	10	22
GN 717-6-M10-C-ST	6	M 10	-	18	11.5	-	6	20	-	17	52	10.5	10	15

GN 717-6-M12x1,5-C-ST	6	M 12 x 1.5	-	21	13.8	-	6	20	-	16.5	55	10.5	12	38
GN 717-8-M12-C-ST	8	M 12	-	21	13.8	-	8	24	-	20.5	63.5	13.5	12	20
GN 717-8-M12x1,5-C-ST	8	M 12 x 1.5	-	21	13.8	-	8	24	-	20.5	63.5	13.5	12	20
GN 717-8-M16x1,5-C-ST	8	M 16 x 1.5	-	25	19.6	-	8	24	-	20.5	68	13.5	17	80
GN 717-10-M16x1,5-C-ST	10	M 16 x 1.5	-	25	19.6	-	10	26	-	22.5	72.5	14	17	80
GN 717-3-M6-CK-ST	3	M 6	-	12	6.9	-	3.5	12	-	10	32.5	7	6	2
GN 717-3-M6x0,75-CK-ST	3	M 6 x 0,75	-	12	6.9	-	3.5	12	-	10	32.5	7	6	2
GN 717-4-M6-CK-ST	4	M 6	-	12	6.9	-	4	12	-	10	33	7	6	2
GN 717-4-M8x1-CK-ST	4	M 8 x 1	-	16	9.2	-	4.5	16	-	13.5	43	9.5	8	8
GN 717-5-M8-CK-ST	5	M 8	-	16	9.2	-	5	16	-	13.5	43.5	9.5	8	7
GN 717-5-M8x1-CK-ST	5	M 8 x 1	-	16	9.2	-	5	16	-	13.5	43.5	9.5	8	7
GN 717-5-M10x1-CK-ST	5	M 10 x 1	-	18	11.5	-	5	16	-	13.5	46	9.5	10	22
GN 717-6-M10-CK-ST	6	M 10	-	18	11.5	-	6	20	-	17	52	10.5	10	15
GN 717-6-M12x1,5-CK-ST	6	M 12 x 1.5	-	21	13.8	-	6	20	-	16.5	55	10.5	12	38
GN 717-8-M12-CK-ST	8	M 12	-	21	13.8	-	8	24	-	20.5	63.5	13.5	12	20
GN 717-8-M12x1,5-CK-ST	8	M 12 x 1.5	-	21	13.8	-	8	24	-	20.5	63.5	13.5	12	20
GN 717-8-M16x1,5-CK-ST	8	M 16 x 1.5	-	25	19.6	-	8	24	-	20.5	68	13.5	17	80
GN 717-10-M16x1,5-CK-ST	10	M 16 x 1.5	-	25	19.6	-	10	26	-	22.5	72.5	14	17	80
GN 717-3-M6-D-ST	3	M 6	-	6	6.9	-	3.5	12	-	10	32.7	12.9	6	2
GN 717-3-M6x0,75-D-ST	3	M 6 x 0,75	-	6	6.9	-	3.5	12	-	10	32.7	12.9	6	3
GN 717-4-M6-D-ST	4	M 6	-	6	6.9	-	4	12	-	10	33.2	12.9	6	2
GN 717-4-M8x1-D-ST	4	M 8 x 1	-	6	9.2	-	4.5	16	-	13.5	42.5	15.5	8	8
GN 717-5-M8-D-ST	5	M 8	-	7.2	9.2	-	5	16	-	13.5	42.5	15.5	8	7
GN 717-5-M8x1-D-ST	5	M 8 x 1	-	7.2	9.2	-	5	16	-	13.5	42.5	15.5	8	7
GN 717-5-M10x1-D-ST	5	M 10 x 1	-	7.2	11.5	-	5	16	-	13.5	42.5	15.5	10	22
GN 717-6-M10-D-ST	6	M 10	-	9.5	11.5	-	6	20	-	17	54.4	20.9	10	15
GN 717-6-M12x1,5-D-ST	6	M 12 x 1.5	-	9.5	13.8	-	6	20	-	16.5	54.4	20.9	12	38
GN 717-8-M12-D-ST	8	M 12	-	11.8	13.8	-	8	24	-	20.5	67.2	25.9	12	20
GN 717-8-M12x1,5-D-ST	8	M 12 x 1.5	-	11.8	13.8	-	8	24	-	20.5	67.2	25.9	12	20
GN 717-8-M16x1,5-D-ST	8	M 16 x 1.5	-	11.8	19.6	-	8	24	-	20.5	67.2	25.9	17	80
GN 717-10-M16x1,5-D-ST	10	M 16 x 1.5	-	11.8	19.6	-	10	26	-	22.5	70.9	25.9	17	80
GN 717-3-M6-DK-ST	3	M 6	-	6	6.9	-	3.5	12	-	10	32.7	12.9	6	2
GN 717-3-M6x0,75-DK-ST	3	M 6 x 0,75	-	6	6.9	-	3.5	12	-	10	32.7	12.9	6	3
GN 717-4-M6-DK-ST	4	M 6	-	6	6.9	-	4	12	-	10	33.2	12.9	6	2
GN 717-4-M8x1-DK-ST	4	M 8 x 1	-	6	9.2	-	4.5	16	-	13.5	42.5	15.5	8	8
GN 717-5-M8-DK-ST	5	M 8	-	7.2	9.2	-	5	16	-	13.5	42.5	15.5	8	7
GN 717-5-M8x1-DK-ST	5	M 8 x 1	-	7.2	9.2	-	5	16	-	13.5	42.5	15.5	8	7
GN 717-5-M10x1-DK-ST	5	M 10 x 1	-	7.2	11.5	-	5	16	-	13.5	42.5	15.5	10	22
GN 717-6-M10-DK-ST	6	M 10	-	9.5	11.5	-	6	20	-	17	54.4	20.9	10	15
GN 717-6-M12x1,5-DK-ST	6	M 12 x 1.5	-	9.5	13.8	-	6	20	-	16.5	54.4	20.9	12	38
GN 717-8-M12-DK-ST	8	M 12	-	11.8	13.8	-	8	24	-	20.5	67.2	25.9	12	20
GN 717-8-M12x1,5-DK-ST	8	M 12 x 1.5	-	11.8	13.8	-	8	24	-	20.5	67.2	25.9	12	20
GN 717-8-M16x1,5-DK-ST	8	M 16 x 1.5	-	11.8	19.6	-	8	24	-	20.5	67.2	25.9	17	80
GN 717-10-M16x1,5-DK-ST	10	M 16 x 1.5	-	11.8	19.6	-	10	26	-	22.5	70.9	25.9	17	80



## GN 717-NI

Description	d <sub>1</sub> Bore +0.03/+0.08 Pin 0.05	d <sub>2</sub>	d <sub>3</sub>	d <sub>4</sub>	e	l <sub>1</sub>	l <sub>2</sub>	l <sub>3</sub>	l <sub>4</sub>	l <sub>5</sub> min.	l <sub>6</sub>	l <sub>7</sub>	A/F	Max. tightening torque in Nm
GN 717-3-M6-A-NI	3	M 6	14	-	6.9	-	3.5	12	4.5	10	-	-	6	2
GN 717-3-M6x0,75-A-NI	3	M 6 x 0.75	14	-	6.9	-	3.5	12	4.5	10	-	-	6	3
GN 717-4-M6-A-NI	4	M 6	14	-	6.9	-	4	12	4.5	10	-	-	6	2
GN 717-4-M8x1-A-NI	4	M 8 x 1	14	-	9.2	-	4.5	16	6	13.5	-	-	8	8
GN 717-5-M8-A-NI	5	M 8	18	-	9.2	-	5	16	6	13.5	-	-	8	7
GN 717-5-M8x1-A-NI	5	M 8 x 1	18	-	9.2	-	5	16	6	13.5	-	-	8	7
GN 717-5-M10x1-A-NI	5	M 10 x 1	18	-	11.5	-	5	16	6	13.5	-	-	10	22
GN 717-6-M10-A-NI	6	M 10	24	-	11.5	-	6	20	7.5	17	-	-	10	15
GN 717-6-M12x1,5-A-NI	6	M 12 x 1.5	24	-	13.8	-	6	20	7.5	16.5	-	-	12	38
GN 717-8-M12-A-NI	8	M 12	30	-	13.8	-	8	24	9	20.5	-	-	12	20
GN 717-8-M12x1,5-A-NI	8	M 12 x 1.5	30	-	13.8	-	8	24	9	20.5	-	-	12	20
GN 717-8-M16x1,5-A-NI	8	M 16 x 1.5	30	-	19.6	-	8	24	9	20.5	-	-	17	80
GN 717-10-M16x1,5-A-NI	10	M 16 x 1.5	30	-	19.6	-	10	26	9	22.5	-	-	17	80
GN 717-3-M6-AK-NI	3	M 6	14	-	6.9	-	3.5	12	4.5	10	-	-	6	2
GN 717-3-M6x0,75-AK-NI	3	M 6 x 0.75	14	-	6.9	-	3.5	12	4.5	10	-	-	6	3
GN 717-4-M6-AK-NI	4	M 6	14	-	6.9	-	4	12	4.5	10	-	-	6	2
GN 717-4-M8x1-AK-NI	4	M 8 x 1	18	-	9.2	-	4.5	16	6	13.5	-	-	8	8
GN 717-5-M8-AK-NI	5	M 8	18	-	9.2	-	5	16	6	13.5	-	-	8	7
GN 717-5-M8x1-AK-NI	5	M 8 x 1	18	-	9.2	-	5	16	6	13.5	-	-	8	7
GN 717-5-M10x1-AK-NI	5	M 10 x 1	18	-	11.5	-	5	16	6	13.5	-	-	10	22
GN 717-6-M10-AK-NI	6	M 10	24	-	11.5	-	6	20	7.5	17	-	-	10	15
GN 717-6-M12x1,5-AK-NI	6	M 12 x 1.5	24	-	13.8	-	6	20	7.5	16.5	-	-	12	38
GN 717-8-M12-AK-NI	8	M 12	30	-	13.8	-	8	24	9	20.5	-	-	12	20
GN 717-8-M12x1,5-AK-NI	8	M 12 x 1.5	30	-	13.8	-	8	24	9	20.5	-	-	12	20
GN 717-8-M16x1,5-AK-NI	8	M 16 x 1.5	30	-	19.6	-	8	24	9	20.5	-	-	17	80
GN 717-10-M16x1,5-AK-NI	10	M 16 x 1.5	30	-	19.6	-	10	26	9	22.5	-	-	17	80
GN 717-3-M6-B-NI	3	M 6	-	12	6.9	30	3.5	12	4.5	10	-	-	6	2
GN 717-3-M6x0,75-B-NI	3	M 6 x 0.75	-	12	6.9	30	3.5	12	4.5	10	-	-	6	3
GN 717-4-M6-B-NI	4	M 6	-	12	6.9	30.5	4	12	4.5	10	-	-	6	2
GN 717-4-M8x1-B-NI	4	M 8 x 1	-	16	9.2	39.5	4.5	16	6	13.5	-	-	8	8
GN 717-5-M8-B-NI	5	M 8	-	16	9.2	40	5	16	6	13.5	-	-	8	7
GN 717-5-M8x1-B-NI	5	M 8 x 1	-	16	9.2	40	5	16	6	13.5	-	-	8	7
GN 717-5-M10x1-B-NI	5	M 10 x 1	-	18	11.5	42.5	5	16	6	13.5	-	-	10	22
GN 717-6-M10-B-NI	6	M 10	-	18	11.5	49	6	20	7.5	17	-	-	10	15
GN 717-6-M12x1,5-B-NI	6	M 12 x 1.5	-	21	13.8	52	6	20	7.5	16.5	-	-	12	38
GN 717-8-M12-B-NI	8	M 12	-	21	13.8	59	8	24	9	20.5	-	-	12	20
GN 717-8-M12x1,5-B-NI	8	M 12 x 1.5	-	21	13.8	59	8	24	9	20.5	-	-	12	20
GN 717-8-M16x1,5-B-NI	8	M 16 x 1.5	-	25	19.6	63.5	8	24	9	20.5	-	-	17	80
GN 717-10-M16x1,5-B-NI	10	M 16 x 1.5	-	25	19.6	67.5	10	26	9	22.5	-	-	17	80
GN 717-3-M6-BK-NI	3	M 6	-	12	6.9	30	3.5	12	4.5	10	-	-	6	2
GN 717-3-M6x0,75-BK-NI	3	M 6 x 0.75	-	12	6.9	30	3.5	12	4.5	10	-	-	6	3
GN 717-4-M6-BK-NI	4	M 6	-	12	6.9	30.5	4	12	4.5	10	-	-	6	2
GN 717-4-M8x1-BK-NI	4	M 8 x 1	-	16	9.2	39.5	4.5	16	6	13.5	-	-	8	8
GN 717-5-M8-BK-NI	5	M 8	-	16	9.2	40	5	16	6	13.5	-	-	8	7
GN 717-5-M8x1-BK-NI	5	M 8 x 1	-	16	9.2	40	5	16	6	13.5	-	-	8	7
GN 717-5-M10x1-BK-NI	5	M 10 x 1	-	18	11.5	42.5	5	16	6	13.5	-	-	10	22
GN 717-6-M10-BK-NI	6	M 10	-	18	11.5	49	6	20	7.5	17	-	-	10	15
GN 717-6-M12x1,5-BK-NI	6	M 12 x 1.5	-	21	13.8	52	6	20	7.5	16.5	-	-	12	38
GN 717-8-M12-BK-NI	8	M 12	-	21	13.8	59	8	24	9	20.5	-	-	12	20
GN 717-8-M12x1,5-BK-NI	8	M 12 x 1.5	-	21	13.8	59	8	24	9	20.5	-	-	12	20
GN 717-8-M16x1,5-BK-NI	8	M 16 x 1.5	-	25	19.6	63.5	8	24	9	20.5	-	-	17	80
GN 717-10-M16x1,5-BK-NI	10	M 16 x 1.5	-	25	19.6	67.5	10	26	9	22.5	-	-	17	80
GN 717-3-M6-C-NI	3	M 6	-	12	6.9	-	3.5	12	-	10	32.5	7	6	2
GN 717-3-M6x0,75-C-NI	3	M 6 x 0.75	-	12	6.9	-	3.5	12	-	10	32.5	7	6	3
GN 717-4-M6-C-NI	4	M 6	-	12	6.9	-	4	12	-	10	33	7	6	2
GN 717-4-M8x1-C-NI	4	M 8 x 1	-	16	9.2	-	4.5	16	-	13.5	43	9.5	8	8
GN 717-5-M8-C-NI	5	M 8	-	16	9.2	-	5	16	-	13.5	43.5	9.5	8	7
GN 717-5-M8x1-C-NI	5	M 8 x 1	-	16	9.2	-	5	16	-	13.5	43.5	9.5	8	7
GN 717-5-M10x1-C-NI	5	M 10 x 1	-	18	11.5	-	5	16	-	13.5	46	9.5	10	22
GN 717-6-M10-C-NI	6	M 10	-	18	11.5	-	6	20	-	17	52	10.5	10	15

GN 717-6-M12x1,5-C-NI	6	M 12 x 1.5	-	21	13.8	-	6	20	-	16.5	55	10.5	12	38
GN 717-8-M12-C-NI	8	M 12	-	21	13.8	-	8	24	-	20.5	63.5	13.5	12	20
GN 717-8-M12x1,5-C-NI	8	M 12 x 1.5	-	21	13.8	-	8	24	-	20.5	63.5	13.5	12	20
GN 717-8-M16x1,5-C-NI	8	M 16 x 1.5	-	25	19.6	-	8	24	-	20.5	68	13.5	17	80
GN 717-10-M16x1,5-C-NI	10	M 16 x 1.5	-	25	19.6	-	10	26	-	22.5	72.5	14	17	80
GN 717-3-M6-CK-NI	3	M 6	-	12	6.9	-	3.5	12	-	10	32.5	7	6	2
GN 717-3-M6x0,75-CK-NI	3	M 6 x 0.75	-	12	6.9	-	3.5	12	-	10	32.5	7	6	3
GN 717-4-M6-CK-NI	4	M 6	-	12	6.9	-	4	12	-	10	33	7	6	2
GN 717-4-M8x1-CK-NI	4	M 8 x 1	-	16	9.2	-	4.5	16	-	13.5	43	9.5	8	8
GN 717-5-M8-CK-NI	5	M 8	-	16	9.2	-	5	16	-	13.5	43.5	9.5	8	7
GN 717-5-M8x1-CK-NI	5	M 8 x 1	-	16	9.2	-	5	16	-	13.5	43.5	9.5	8	7
GN 717-5-M10x1-CK-NI	5	M 10 x 1	-	18	11.5	-	5	16	-	13.5	46	9.5	10	22
GN 717-6-M10-CK-NI	6	M 10	-	18	11.5	-	6	20	-	17	52	10.5	10	15
GN 717-6-M12x1,5-CK-NI	6	M 12 x 1.5	-	21	13.8	-	6	20	-	16.5	55	10.5	12	38
GN 717-8-M12-CK-NI	8	M 12	-	21	13.8	-	8	24	-	20.5	63.5	13.5	12	20
GN 717-8-M12x1,5-CK-NI	8	M 12 x 1.5	-	21	13.8	-	8	24	-	20.5	63.5	13.5	12	20
GN 717-8-M16x1,5-CK-NI	8	M 16 x 1.5	-	25	19.6	-	8	24	-	20.5	68	13.5	17	80
GN 717-10-M16x1,5-CK-NI	10	M 16 x 1.5	-	25	19.6	-	10	26	-	22.5	72.5	14	17	80
GN 717-3-M6-D-NI	3	M 6	-	6	6.9	-	3.5	12	-	10	32.7	12.9	6	2
GN 717-3-M6x0,75-D-NI	3	M 6 x 0.75	-	6	6.9	-	3.5	12	-	10	32.7	12.9	6	3
GN 717-4-M6-D-NI	4	M 6	-	6	6.9	-	4	12	-	10	33.2	12.9	6	2
GN 717-4-M8x1-D-NI	4	M 8 x 1	-	6	9.2	-	4.5	16	-	13.5	42.5	15.5	8	8
GN 717-5-M8-D-NI	5	M 8	-	7.2	9.2	-	5	16	-	13.5	42.5	15.5	8	7
GN 717-5-M8x1-D-NI	5	M 8 x 1	-	7.2	9.2	-	5	16	-	13.5	42.5	15.5	8	7
GN 717-5-M10x1-D-NI	5	M 10 x 1	-	7.2	11.5	-	5	16	-	13.5	42.5	15.5	10	22
GN 717-6-M10-D-NI	6	M 10	-	9.5	11.5	-	6	20	-	17	54.4	15.5	10	15
GN 717-6-M12x1,5-D-NI	6	M 12 x 1.5	-	9.5	13.8	-	6	20	-	16.5	54.4	20.9	12	38
GN 717-8-M12-D-NI	8	M 12	-	11.8	13.8	-	8	24	-	20.5	67.2	20.9	12	20
GN 717-8-M12x1,5-D-NI	8	M 12 x 1.5	-	11.8	13.8	-	8	24	-	20.5	67.2	20.9	12	20
GN 717-8-M16x1,5-D-NI	8	M 16 x 1.5	-	11.8	19.6	-	8	24	-	20.5	67.2	25.9	17	80
GN 717-10-M16x1,5-D-NI	10	M 16 x 1.5	-	11.8	19.6	-	10	26	-	22.5	70.9	25.9	17	80
GN 717-3-M6-DK-NI	3	M 6	-	6	6.9	-	3.5	12	-	10	32.7	12.9	6	2
GN 717-3-M6x0,75-DK-NI	3	M 6 x 0.75	-	6	6.9	-	3.5	12	-	10	32.7	12.9	6	3
GN 717-4-M6-DK-NI	4	M 6	-	6	6.9	-	4	12	-	10	33.2	12.9	6	2
GN 717-4-M8x1-DK-NI	4	M 8 x 1	-	7.2	9.2	-	4.5	16	-	13.5	42.5	15.5	8	8
GN 717-5-M8-DK-NI	5	M 8	-	7.2	9.2	-	5	16	-	13.5	42.5	15.5	8	7
GN 717-5-M8x1-DK-NI	5	M 8 x 1	-	7.2	9.2	-	5	16	-	13.5	42.5	15.5	8	7
GN 717-5-M10x1-DK-NI	5	M 10 x 1	-	7.2	11.5	-	5	16	-	13.5	42.5	15.5	10	22
GN 717-6-M10-DK-NI	6	M 10	-	9.5	11.5	-	6	20	-	17	54.4	15.5	10	15
GN 717-6-M12x1,5-DK-NI	6	M 12 x 1.5	-	9.5	13.8	-	6	20	-	16.5	54.4	20.9	12	38
GN 717-8-M12-DK-NI	8	M 12	-	11.8	13.8	-	8	24	-	20.5	67.2	20.9	12	20
GN 717-8-M12x1,5-DK-NI	8	M 12 x 1.5	-	11.8	13.8	-	8	24	-	20.5	67.2	20.9	12	20
GN 717-8-M16x1,5-DK-NI	8	M 16 x 1.5	-	11.8	19.6	-	8	24	-	20.5	67.2	25.9	17	80
GN 717-10-M16x1,5-DK-NI	10	M 16 x 1.5	-	11.8	19.6	-	10	26	-	22.5	70.9	25.9	17	80