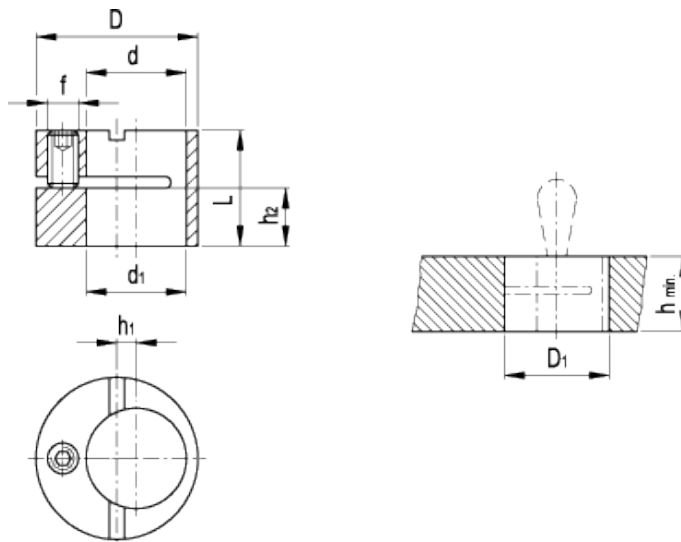


GN 715.2

Eccentric bushings



technical informations

Material

Black-oxide steel.

Features and applications

GN 715.2 eccentric bushings are used to position [GN 715](#) side thrust pins correctly. By using the eccentric bushings, the thrust pin can be positioned very precisely to adapt to the tolerance of the piece to be machined.

| Standard Elements | Main dimensions | | | | | | | | | Weight |
|-------------------|-----------------|---------------------|-----------------|-------------------|----|----|----------------|----------------|-------------------|--------|
| Description | d | d _{1 +0.1} | D _{h9} | D _{1 H7} | f | h | h ₁ | h ₂ | L _{-0.2} | g |
| GN 715.2-6 | 6 | 6.2 | 12 | 12 | M4 | 10 | 2 | 4.4 | 9.9 | 5 |
| GN 715.2-10 | 10 | 10.2 | 16 | 16 | M4 | 12 | 2 | 5.4 | 11.9 | 9 |
| GN 715.2-12 | 12 | 12.2 | 18 | 18 | M4 | 14 | 2 | 6.6 | 13.9 | 13 |
| GN 715.2-16 | 16 | 16.2 | 25 | 25 | M6 | 18 | 3 | 7.9 | 17.9 | 35 |



ELESA and GANTER models all rights reserved in accordance with the law. Always mention the source when reproducing our drawings.

STANDARD MACHINE ELEMENTS WORLDWIDE