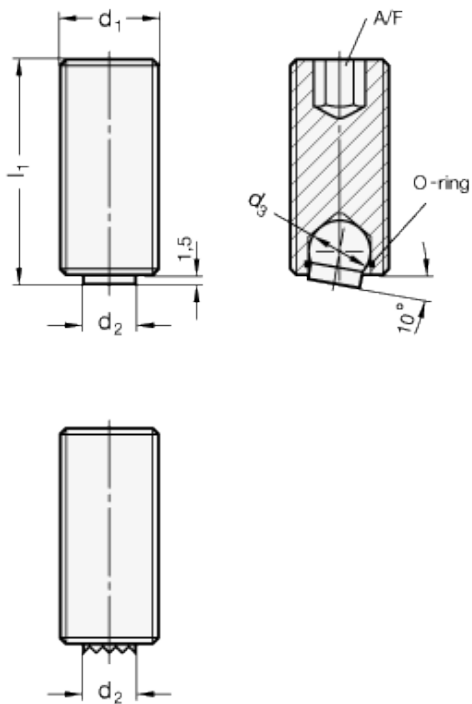
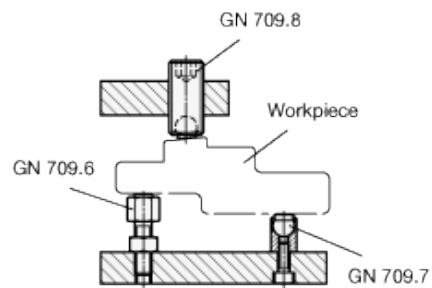


# GN 709.8

Clamping pads



Application example  
of different clamping pads with O-ring



technical informations

## Material

Case tempered steel, class 5.8 (tensile strength 500 N/mm<sup>2</sup>).

## Ball

Hardened Steel (54+2 HRC), Polyacetal (POM) plastic.

## O-ring

NBR synthetic rubber (Perbunan).

### Standard versions available

- Version B: Ball steel, smooth contact face.
- Version R: Ball steel, serrated contact face.
- Version K: Ball plastic, smooth contact face.

### Features and applications

Clamping pads GN 709.8 are also used in jig and fixture construction, for example for clamping workpieces, as movable bearing surface or as stop. The swivel-mounted ball compensates uneven and non-parallel contact surfaces by as much as 10°. It is also secured against further twisting. The O-ring holds the ball in position and prevents dirt from penetrating, resulting in a long service life and constant mobility.

Standard Elements	Main dimensions					Weight
Description	d <sub>1</sub>	l <sub>1</sub> ±0.13	d <sub>2</sub>	d <sub>3</sub>	A/F	g
GN 709.8-M12-25-B	M12	25	6	7	6	15
GN 709.8-M12-35-B	M12	35	6	7	6	22
GN 709.8-M12-50-B	M12	50	6	7	6	32
GN 709.8-M16-25-B	M16	25	8.5	10	8	27
GN 709.8-M16-35-B	M16	35	8.5	10	8	40
GN 709.8-M16-50-B	M16	50	8.5	10	8	60
GN 709.8-M12-25-R	M12	25	6	7	6	15
GN 709.8-M12-35-R	M12	35	6	7	6	22
GN 709.8-M12-50-R	M12	50	6	7	6	32
GN 709.8-M16-25-R	M16	25	8.5	10	8	26
GN 709.8-M16-35-R	M16	35	8.5	10	8	36
GN 709.8-M16-50-R	M16	50	8.5	10	8	59
GN 709.8-M12-25-K	M12	25	6	7	6	13
GN 709.8-M12-35-K	M12	35	6	7	6	20
GN 709.8-M12-50-K	M12	50	6	7	6	31
GN 709.8-M16-25-K	M16	25	8.5	10	8	23
GN 709.8-M16-35-K	M16	35	8.5	10	8	36
GN 709.8-M16-50-K	M16	50	8.5	10	8	56



STANDARD MACHINE ELEMENTS WORLDWIDE