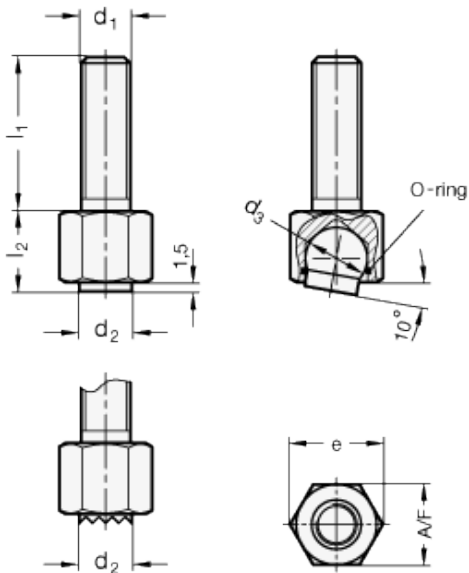
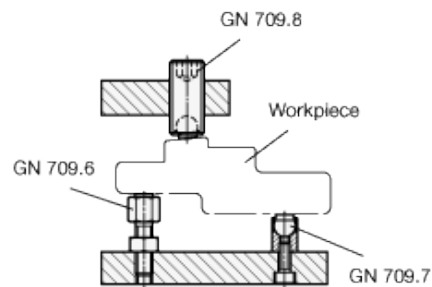


GN 709.6

Clamping pads



Application example
of different clamping pads with O-ring



technical informations

Material

Case tempered steel, class 10.9 Tensile strength.

Ball

Hardened steel (54+2 HRC), Polyacetal (POM) plastic.

O-ring

NBR synthetic rubber (Perbunan).

Standard versions available

- Version B: Ball steel, smooth contact face.
- Version R: Ball steel, serrated contact face.
- Version K: Ball plastic, smooth contact face.

Features and applications

Clamping pads GN 709.6 are also used in jig and fixture construction, for example for clamping workpieces, as movable bearing surface or as stop. The swivel-mounted ball compensates uneven and non-parallel contact surfaces by as much as 10°. It is also secured against further twisting. The O-ring holds the ball in position and prevents dirt from penetrating, resulting in a long service life and constant mobility.

Standard Elements	Main dimensions							Weight
Description	d ₁	l ₁	d ₂	d ₃	l ₂	A/F	e	g
GN 709.6-M6-12-B	M6	12	6	7	9.5	10	11.5	8
GN 709.6-M6-25-B	M6	12	6	7	9.5	10	11.5	10
GN 709.6-M6-40-B	M6	40	6	7	9.5	10	11.5	12
GN 709.6-M8-12-B	M8	12	8.5	10	13	13	15	16
GN 709.6-M8-25-B	M8	25	8.5	10	13	13	15	20
GN 709.6-M8-40-B	M8	40	8.5	10	13	13	15	24
GN 709.6-M6-12-R	M6	12	6	7	9.5	10	11.5	7
GN 709.6-M6-25-R	M6	25	6	7	9.5	10	11.5	9
GN 709.6-M6-40-R	M6	40	6	7	9.5	10	11.5	12
GN 709.6-M8-12-R	M8	12	8.5	10	13	13	15	16
GN 709.6-M8-25-R	M8	25	8.5	10	13	13	15	20
GN 709.6-M8-40-R	M8	40	8.5	10	13	13	15	24
GN 709.6-M6-12-K	M6	12	6	7	9.5	10	11.5	6
GN 709.6-M6-25-K	M6	25	6	7	9.5	10	11.5	8
GN 709.6-M6-40-K	M6	40	6	7	9.5	10	11.5	12
GN 709.6-M8-12-K	M8	12	8.5	10	13	13	15	13
GN 709.6-M8-25-K	M8	25	8.5	10	13	13	15	16
GN 709.6-M8-40-K	M8	40	8.5	10	13	13	15	21



STANDARD MACHINE ELEMENTS WORLDWIDE