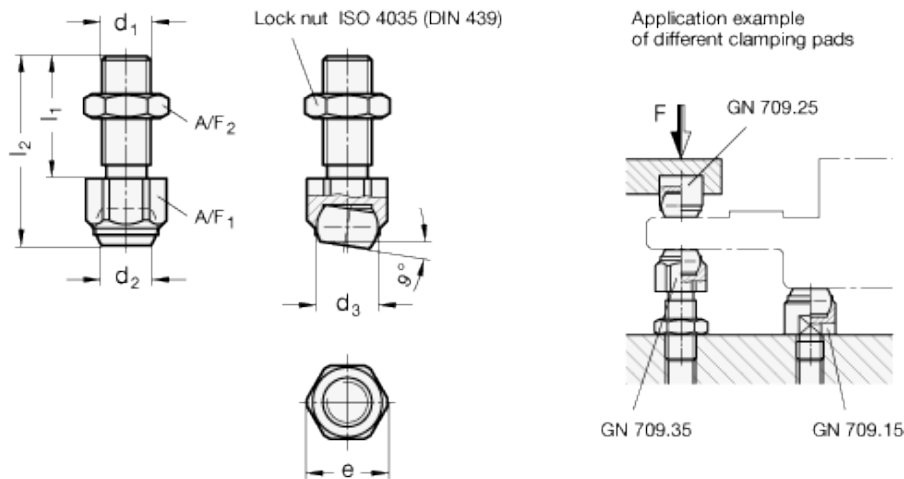


# GN 709.35

Clamping pads



INOX  
Stainless Steel



## technical informations

### Material

AISI 431 tempered stainless steel.

### Ball

AISI 420C stainless steel, nickel-plated.

### Hexagon nut

Stainless steel according to ISO 4035 (DIN 439).

### Standard versions available

- Version B: smooth contact face.

*Special executions on request (For sufficient quantities)*

Serrated hard metal insert.

### Features and applications

Clamping pads GN 709.35 are used as mobile supports or as spring plungers for clamping workpieces. They can also be used as a back stop.

The ball is limited to an angular movement of 9° only.

Standard Elements	Main dimensions								Max. static load in kN	Weight
Description	A/F <sub>1</sub>	d <sub>1</sub>	d <sub>2</sub>	d <sub>3</sub>	e	l <sub>1</sub>	l <sub>2</sub>	A/F <sub>2</sub>		g
GN 709.3-13-M8-B	13	M8	5.8	8.5	14.5	25	36.6	13	8	21
GN 709.3-17-M10-B	17	M10	8.6	12	19	30	45.7	17	8	55
GN 709.3-17-M12-B	17	M12	8.6	12	19	35	50.7	19	15	55
GN 709.3-24-M16-B	24	M16	10.5	16	27	40	60.7	24	25	115
GN 709.3-30-M20-B	30	M20	20	25	33	50	77.3	30	90	230



STANDARD MACHINE ELEMENTS WORLDWIDE