

## Split Stainless Steel- Shaft collars

with dampening washer

### SPECIFICATION

Stainless Steel **NI**  
Sintered Steel AISI 316 LHC  
Dampening washer  
Elastomer (PUR)  
- 70 Shore A  
- temperature resistant up to 80 °C  
- transparent

Socket head cap screw DIN 912  
Stainless Steel AISI 304



### INFORMATION

The affixed dampening washer of the semi-split Stainless Steel-Shaft collars GN 7062.3 (see page ) absorbs mild shocks and has a sound-dampening effect when the shaft collars come into contact with other components.

They can be assembled safely and easily with a high clamping force by reducing the slot height, without damaging the surface of shafts and axles. As compared to semi-split shaft collars, split shaft collars can even be assembled radially.

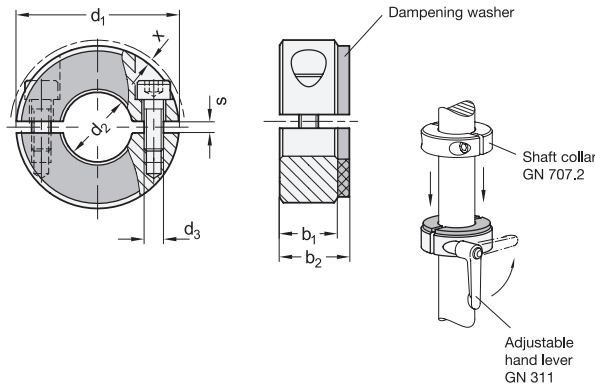
The thread  $d_3$  for sizes  $d_1 = 30$  to 36 is designed as a through hole; for sizes  $d_1 = 42$  and larger, it is designed as blind hole.

### TECHNICAL INFORMATION

- ISO-Fundamental tolerances (see page A21)
- Elastomer characteristics (see page A32)
- Stainless Steel characteristics (see page A26)

### ACCESSORY

- Adjustable hand levers GN 311 (see page )



### GN 7072.3

STAINLESS STEEL

Description	$d_1$	$d_2$ H10 Recommended shaft tolerance h11	$b_1$	$b_2$	$d_3$	$s$	$x \approx$ Max. protrusion of cap screw	Adjustable hand lever for $d_3$	
GN 7072.3-30-B12-NI	30	B 12	11	13	M 4	2.1	0.7	311-30-M4-12-SW	38
GN 7072.3-32-B14-NI	32	B 14	11	13	M 4	2.1	0.7	311-30-M4-12-SW	46
GN 7072.3-36-B15-NI	36	B 15	13	15	M 5	2.1	1.4	311-30-M5-13-SW	113
GN 7072.3-36-B16-NI	36	B 16	13	15	M 5	2.1	1.4	311-30-M5-13-SW	111
GN 7072.3-42-B18-NI	42	B 18	15	18	M 5	3	0.6	311-30-M5-15-SW	103
GN 7072.3-42-B20-NI	42	B 20	15	18	M 5	3	0.6	311-30-M5-15-SW	100
GN 7072.3-48-B22-NI	48	B 22	15	18	M 5	3	0	311-45-M5-16-SW	115
GN 7072.3-48-B25-NI	48	B 25	15	18	M 5	3	0	311-45-M5-16-SW	110
GN 7072.3-55-B28-NI	55	B 28	15	18	M 6	3	0.5	311-45-M6-18-SW	167
GN 7072.3-55-B30-NI	55	B 30	15	18	M 6	3	0.5	311-45-M6-18-SW	160
GN 7072.3-60-B32-NI	60	B 32	15	18	M 6	4	0.4	311-45-M6-19-SW	167
GN 7072.3-60-B35-NI	60	B 35	15	18	M 6	4	0.4	311-45-M6-19-SW	165
GN 7072.3-65-B40-NI	65	B 40	15	18	M 6	4	0.5	311-45-M6-20-SW	185

