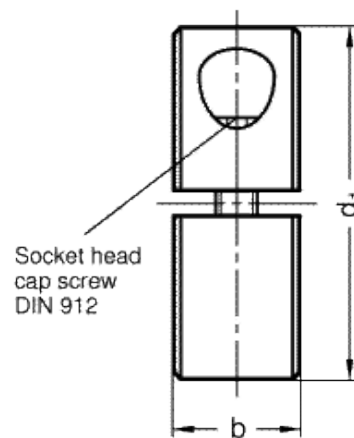
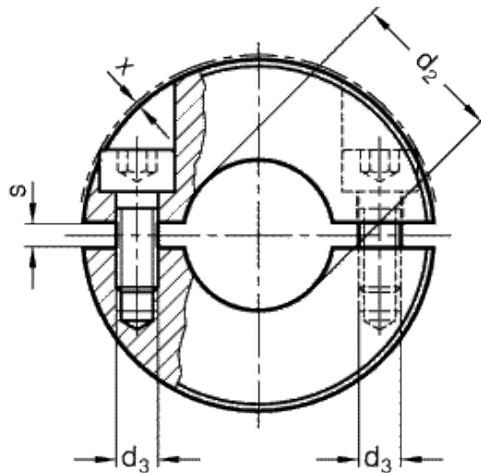


GN 707.2-NI

Split set collars



INOX
Stainless Steel



technical informations

Specification

Stainless Steel NI

- Sintered Steel
- AISI 316L
- Socket head cap screw DIN 912-A2

Stainless Steel A4

- Turned version
- AISI 316
- weldable
- Socket head cap screw DIN 912-A4

Features and applications

Split set collars GN 707.2-NI are used when the latter cannot be slipped over a shaft.

These set collars not only serve as an end stop, but they can also be used for fixing or triggering other components such as end limit switches.

Technical data

Shaft tolerance = h11.

Standard Elements	Main dimensions						Weight
Description	d ₁	d _{2 H10}	b ± 0.2	d ₃	s	x* ≈	g
GN 707.2-20-B6-NI	20	B6	9	M3	2.1	1	20
GN 707.2-22-B8-NI	22	B8	9	M3	2.1	0.8	20
GN 707.2-26-B10-NI	26	B10	11	M4	2.1	1.6	40
GN 707.2-30-B12-NI	30	B12	11	M4	2.1	0.7	40
GN 707.2-32-B14-NI	32	B14	11	M4	2.1	0.7	40
GN 707.2-36-B15-NI	36	B15	13	M5	2.1	1.4	80
GN 707.2-36-B16-NI	36	B16	13	M5	2.1	1.4	63
GN 707.2-42-B18-NI	42	B18	15	M5	3	0.6	100
GN 707.2-42-B20-NI	42	B20	15	M5	3	0.6	100
GN 707.2-48-B22-NI	48	B22	15	M5	3	0	140
GN 707.2-48-B25-NI	48	B25	15	M5	3	0	120
GN 707.2-55-B28-NI	55	B28	15	M6	3	0.4	160
GN 707.2-55-B30-NI	55	B30	15	M6	3	0.4	157
GN 707.2-60-B32-NI	60	B32	15	M6	4	0.4	188
GN 707.2-60-B35-NI	60	B35	15	M6	4	0.4	180
GN 707.2-65-B40-NI	65	B40	15	M6	4	0.5	200
GN 707.2-20-B6-A4	20	B6	9	M3	2.1	1.2	-
GN 707.2-22-B8-A4	22	B8	9	M3	2.1	1	-
GN 707.2-26-B10-A4	26	B10	11	M4	2.1	1.6	-
GN 707.2-30-B12-A4	30	B12	11	M4	2.1	0.7	-
GN 707.2-32-B14-A4	32	B14	11	M4	2.1	0.7	-
GN 707.2-36-B15-A4	36	B15	13	M5	2.1	1.4	-
GN 707.2-36-B16-A4	36	B16	13	M5	2.1	1.4	-
GN 707.2-42-B18-A4	42	B18	15	M5	3	0.6	-
GN 707.2-42-B20-A4	43	B20	15	M5	3	0.6	-
GN 707.2-48-B22-A4	48	B22	15	M5	3	0	-
GN 707.2-48-B25-A4	48	B25	15	M5	3	0	-
GN 707.2-55-B28-A4	55	B28	15	M6	3	0.5	-
GN 707.2-55-B30-A4	55	B30	15	M6	3	0.5	-
GN 707.2-60-B32-A4	60	B32	15	M6	4	0.4	-
GN 707.2-60-B35-A4	60	B35	15	M6	4	0.4	-
GN 707.2-65-B40-A4	65	B40	15	M6	4	0.5	-

* Protusion of cap thread.



STANDARD MACHINE ELEMENTS WORLDWIDE