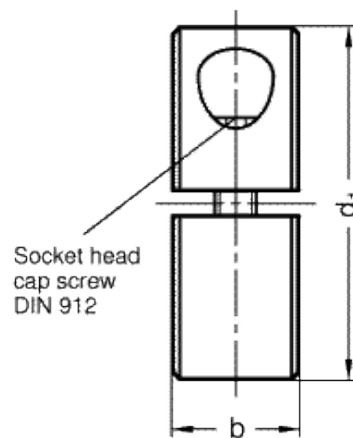
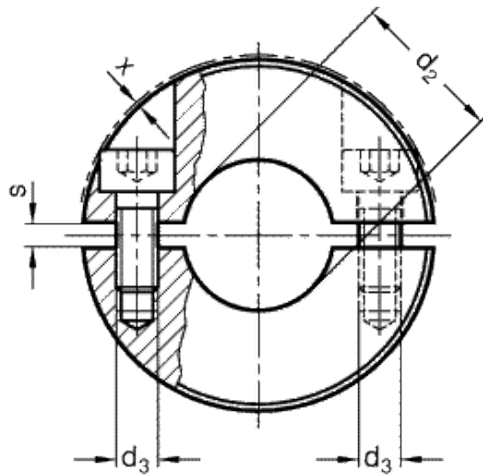


# GN 707.2

Split set collars



## technical informations

### Material

- Black-oxide sintered steel ST.
- Aluminium grounded AL.

### Clamping assembly system

Zinc-plated steel grub screws, cylindrical head with hexagon socket, supplied assembled.

For diameters  $d_1 =$  form 20 to 36,  $d_3$  is a through hole; starting from  $d_1 = 42$ ,  $d_3$  is a threaded blind hole.

### Features and applications

Split set collars GN 707.2 are used when the latter cannot be slipped over a shaft.

These set collars not only serve as an end stop, but they can also be used for fixing or triggering other components such as end limit switches.

### Technical data

Shaft tolerance = h11.

Standard Elements	Main dimensions						Weight
Description	d <sub>1</sub>	d <sub>2</sub> H10	b ± 0.2	d <sub>3</sub>	s	x* ≈	g
GN 707.2-20-B6-ST	20	B6	9	M3	2.1	1	20
GN 707.2-22-B8-ST	22	B8	9	M3	2.1	0.8	20
GN 707.2-26-B10-ST	26	B10	11	M4	2.1	1.6	60
GN 707.2-30-B12-ST	30	B12	11	M4	2.1	0.7	40
GN 707.2-32-B14-ST	32	B14	11	M4	2.1	0.7	40
GN 707.2-36-B15-ST	36	B15	13	M5	2.1	1.4	65
GN 707.2-36-B16-ST	36	B16	13	M5	2.1	1.4	60
GN 707.2-42-B18-ST	42	B18	15	M5	3	0.6	104
GN 707.2-42-B20-ST	42	B20	15	M5	3	0.6	98
GN 707.2-48-B22-ST	48	B22	15	M5	3	0	135
GN 707.2-48-B25-ST	48	B25	15	M5	3	0	122
GN 707.2-55-B28-ST	55	B28	15	M6	3	0.4	165
GN 707.2-55-B30-ST	55	B30	15	M6	3	0.4	156
GN 707.2-60-B32-ST	60	B32	15	M6	4	0.4	187
GN 707.2-60-B35-ST	60	B35	15	M6	4	0.4	174
GN 707.2-65-B40-ST	65	B40	15	M6	4	0.5	189
GN 707.2-20-B6-AL	20	B6	9	M3	2.1	1	20
GN 707.2-22-B8-AL	22	B8	9	M3	2.1	0.8	20
GN 707.2-26-B10-AL	26	B10	11	M4	2.1	1.6	60
GN 707.2-30-B12-AL	30	B12	11	M4	2.1	0.7	40
GN 707.2-32-B14-AL	32	B14	11	M4	2.1	0.7	40
GN 707.2-36-B15-AL	36	B15	13	M5	2.1	1.4	65
GN 707.2-36-B16-AL	36	B16	13	M5	2.1	1.4	60
GN 707.2-42-B18-AL	42	B18	15	M5	3	0.6	104
GN 707.2-42-B20-AL	42	B20	15	M5	3	0.6	98
GN 707.2-48-B22-AL	48	B22	15	M5	3	0	135
GN 707.2-48-B25-AL	48	B25	15	M5	3	0	122
GN 707.2-55-B28-AL	55	B28	15	M6	3	0.4	165
GN 707.2-55-B30-AL	55	B30	15	M6	3	0.4	156
GN 707.2-60-B32-AL	60	B32	15	M6	4	0.4	187
GN 707.2-60-B35-AL	60	B35	15	M6	4	0.4	174
GN 707.2-65-B40-AL	65	B40	15	M6	4	0.5	189

\* Protusion of cap thread.



STANDARD MACHINE ELEMENTS WORLDWIDE