

Semi-split Stainless Steel- Shaft collars

with dampening washer

SPECIFICATION

Stainless Steel **NI**
Sintered Steel AISI 316 LHC
Dampening washer
Elastomer (PUR)
- 70 Shore A
- temperature resistant up to 80 °C
- transparent

Socket head cap screw DIN 912
Stainless Steel AISI 304



INFORMATION

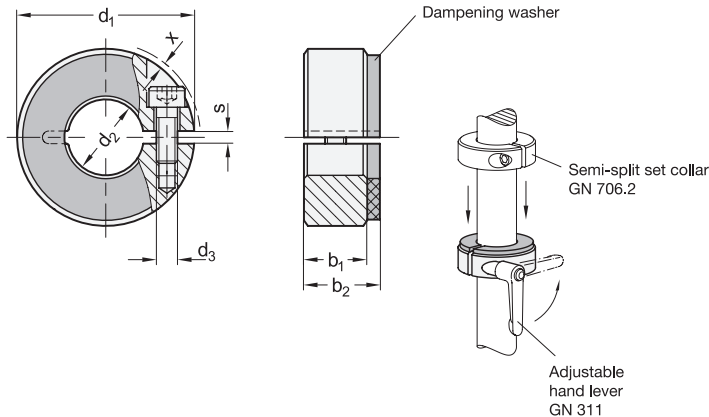
The affixed dampening washer of the semi-split Stainless Steel-
Shaft collars GN 7062.3 absorbs mild shocks and has a
sound-dampening effect when the set collars come into contact
with other components.
They can be assembled safely and easily with a high clamping
force by reducing the slot height, without damaging the surface of
shafts and axles.
The thread d_3 for sizes $d_1 = 30$ to 36 is designed as a through hole; for
sizes $d_1 = 42$ and larger, it is designed as blind hole.

TECHNICAL INFORMATION

- ISO-Fundamental tolerances (see page A21)
- Stainless Steel characteristics (see page A26)
- Elastomer characteristics (see page A32)

ACCESSORY

- Adjustable hand levers GN 311 (see page)



GN 7062.3

STAINLESS STEEL

Description	d_1	d_2 H10 Recommended shaft tolerance h11	b_1	b_2	d_3	s	$x \approx$ Max. protrusion of cap screw	Adjustable hand lever for d_3	
GN 7062.3-30-B12-NI	30	B 12	11	13	M 4	2.1	0.7	311-30-M4-12-SW	39
GN 7062.3-32-B14-NI	32	B 14	11	13	M 4	2.1	0.7	311-30-M4-12-SW	45
GN 7062.3-36-B15-NI	36	B 15	13	15	M 5	2.1	1.4	311-30-M5-13-SW	76
GN 7062.3-36-B16-NI	36	B 16	13	15	M 5	2.1	1.4	311-30-M5-13-SW	67
GN 7062.3-42-B18-NI	42	B 18	15	18	M 5	3	0.6	311-30-M5-15-SW	80
GN 7062.3-42-B20-NI	42	B 20	15	18	M 5	3	0.6	311-30-M5-15-SW	77
GN 7062.3-48-B22-NI	48	B 22	15	18	M 5	3	0	311-45-M5-16-SW	135
GN 7062.3-48-B25-NI	48	B 25	15	18	M 5	3	0	311-45-M5-16-SW	124
GN 7062.3-55-B28-NI	55	B 28	15	18	M 6	3	0.5	311-45-M6-18-SW	195
GN 7062.3-55-B30-NI	55	B 30	15	18	M 6	3	0.5	311-45-M6-18-SW	156
GN 7062.3-60-B32-NI	60	B 32	15	18	M 6	4	0.4	311-45-M6-19-SW	203
GN 7062.3-60-B35-NI	60	B 35	15	18	M 6	4	0.4	311-45-M6-19-SW	171
GN 7062.3-65-B40-NI	65	B 40	15	18	M 6	4	0.5	311-45-M6-20-SW	195