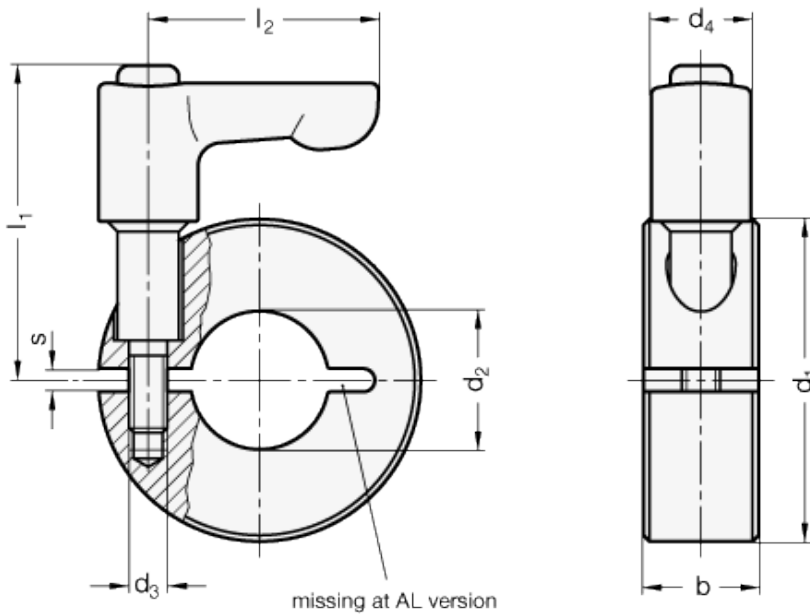


GN 706.4

Semi-split set collars



technical informations

Material

- Black-oxide with vapor sintered steel ST.
- Aluminium ground AL.

Adjustable handles

- Lever body, zinc alloy die-cast, RAL 9005 black matte finish, epoxy resin coating.
- with setting screw AISI 303 Stainless Steel.

Features and applications

Semi-split set collars GN 706.4 can safely and simply be assembled i.e. with high clamping force without damaging the surface

of the shaft.

For size $d_1 = 32$ and 36 , d_3 is a through hole; starting from $d_1 = 42$ d_3 is a threaded blind bore.

These set collars not only serve as an end stop, but they can also be used for fixing or triggering other components such as end limit switches.

Standard Elements	Main dimensions								Weight
Description	d_1	$d_{2\ H10}$	$b \pm 0.2$	d_3	d_4	l_1	l_2	s	g
GN 706.4-32-B14-ST	32	B14	11	M4	13	37	30	2.1	100
GN 706.4-36-B15-ST	36	B15	13	M5	13	38.5	30	2.1	110
GN 706.4-36-B16-ST	36	B16	13	M5	13	38.5	30	2.1	115
GN 706.4-42-B18-ST	42	B18	15	M5	13	41	30	3	125
GN 706.4-42-B20-ST	42	B20	15	M5	13	41	30	3	159
GN 706.4-48-B22-ST	48	B22	15	M5	13	43	45	3	163
GN 706.4-48-B25-ST	48	B25	15	M5	13	43	45	3	167
GN 706.4-55-B28-ST	55	B28	15	M6	13	45	45	3	185
GN 706.4-55-B30-ST	55	B30	15	M6	13	45	45	3	200
GN 706.4-60-B32-ST	60	B32	15	M6	13	46.5	45	4	220
GN 706.4-60-B35-ST	60	B35	15	M6	13	46.5	45	4	235
GN 706.4-65-B40-ST	65	B40	15	M6	13	47.5	45	4	240
GN 706.4-32-B14-AL	32	B14	11	M4	13	37	30	2.1	100
GN 706.4-36-B15-AL	36	B15	13	M5	13	38.5	30	2.1	110
GN 706.4-36-B16-AL	36	B16	13	M5	13	38.5	30	2.1	115
GN 706.4-42-B18-AL	42	B18	15	M5	13	41	30	3	125
GN 706.4-42-B20-AL	42	B20	15	M5	13	41	30	3	159
GN 706.4-48-B22-AL	48	B22	15	M5	13	43	45	3	-
GN 706.4-48-B25-AL	48	B25	15	M5	13	43	45	3	167
GN 706.4-55-B28-AL	55	B28	15	M6	13	45	45	3	185
GN 706.4-55-B30-AL	55	B30	15	M6	13	45	45	3	200
GN 706.4-60-B32-AL	60	B32	15	M6	13	46.5	45	4	220
GN 706.4-60-B35-AL	60	B35	15	M6	13	46.5	45	4	235
GN 706.4-65-B40-AL	65	B40	15	M6	13	47.5	45	4	240



STANDARD MACHINE ELEMENTS WORLDWIDE