

GN 706.3-NI

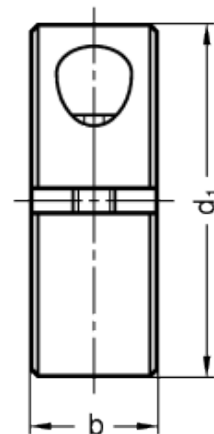
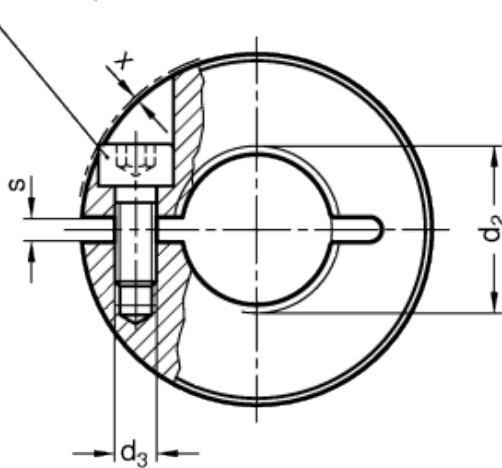
Threaded set collars



INOX
Stainless Steel



Socket head cap screw DIN 912



technical informations

Material

AISI 316 LHC stainless sintered steel NI.

Socket head cap screw

AISI 304 stainless steel NI.

Clamping assembly systems

For size $d_1 = 20$ to 36 d_3 is a through hole; starting from $d_1 = 42$ d_3 is a threaded blind bore.

Features and applications

Threaded set collars GN 706.3 can be used in connection with bolt thread tolerance 6g. After clamping, the thread of the semi-split set collar may no longer be tolerance-stable (6H).

Standard Elements	Main dimensions						Weight
Description	d ₁	d ₂	b	d ₃	s	x ≈ max. protrusion of cap screw	g
GN 706.3-20-M8-NI	20	M8	9	M3	2.1	1	15
GN 706.3-20-M8x1-NI	20	M8x1	9	M3	2.1	1	16
GN 706.3-22-M10-NI	22	M10	9	M3	2.1	0.8	17
GN 706.3-22-M10x1-NI	22	M10x1	9	M3	2.1	0.8	17
GN 706.3-26-M12-NI	26	M12	11	M4	2.1	1.6	32
GN 706.3-26-M12x1.5-NI	26	M12x1.5	11	M4	2.1	1.6	40
GN 706.3-32-M16-NI	32	M16	11	M4	2.1	0.7	44
GN 706.3-32-M16x1.5-NI	32	M16x1.5	11	M4	2.1	0.7	45
GN 706.3-42-M20-NI	42	M20	15	M5	3	0.6	100
GN 706.3-42-M20x1.5-NI	42	M20x1.5	15	M5	3	0.6	100
GN 706.3-48-M24x1.5-NI	48	M24x1.5	15	M5	3	0	150
GN 706.3-55-M30x1.5-NI	55	M30x1.5	15	M6	3	0.4	167



STANDARD MACHINE ELEMENTS WORLDWIDE