

Quick release shaft collars

SPECIFICATION

Ring
Aluminium
black anodized

Lever
Aluminium
yellow anodized

INFORMATION

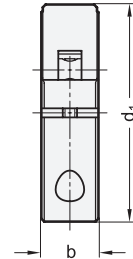
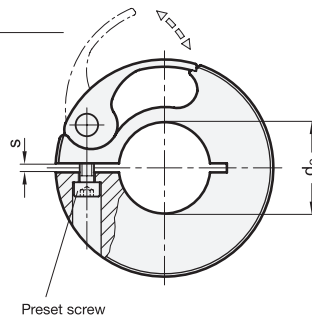
The force lock with the shaft is made in the GN 704 quick release shaft collars via an eccentric lever which allows the collars to be adjusted easily and quickly without tools. The aluminium design delivers low inertia values.

The specified tightening torque of the screw is a recommended value with which the collar clamped to a shaft (with closed eccentric lever) is capable of reaching the specified axial load capacity. The details on axial load capacity are non-binding guidance values and do not constitute a warranty of characteristics.

Keeping the friction surface of the eccentric lever slightly greased will help to prolong the useful service life.

TECHNICAL INFORMATION

- ISO-Fundamental Tolerances (see page A21)



GN 704

Description	d1	d2 Recommended shaft tolerance h8	b	s	Tightening torque of the screw in Nm ≈	Axial load in N ≈ min.	Axial load in N ≈ max.	⚖️
GN 704-38-B6	38	B 6	10	1.5	0.5	133	267	27
GN 704-38-B8	38	B 8	10	1.5	0.5	133	267	25
GN 704-38-B10	38	B 10	10	1.5	0.5	133	267	25
GN 704-38-B12	38	B 12	10	1.5	0.5	133	267	25
GN 704-38-B14	38	B 14	10	1.5	0.5	133	267	24
GN 704-38-B15	38	B 15	10	1.5	0.5	133	267	22
GN 704-38-B16	38	B 16	10	1.5	0.5	133	267	23
GN 704-50-B20	50	B 20	13	1.5	0.7	311	445	54
GN 704-50-B25	50	B 25	13	1.5	0.7	311	445	49
GN 704-50-B28	50	B 28	13	1.5	0.7	311	445	43
GN 704-50-B30	50	B 30	13	1.5	0.7	311	445	41
GN 704-75-B32	75	B 32	15	1.5	1.5	467	534	126
GN 704-75-B35	75	B 35	15	1.5	1.5	467	534	119
GN 704-75-B38	75	B 38	15	1.5	1.5	467	534	113
GN 704-100-B40	100	B 40	19	4.5	4.5	556	867	309
GN 704-100-B42	100	B 42	19	4.5	4.5	556	867	303
GN 704-100-B45	100	B 45	19	4.5	4.5	556	867	292
GN 704-100-B48	100	B 48	19	4.5	4.5	556	867	281
GN 704-100-B50	100	B 50	19	4.5	4.5	556	867	273
GN 704-120-B54	120	B 54	19	4.5	4.5	890	1379	436
GN 704-120-B55	120	B 55	19	4.5	4.5	890	1379	431
GN 704-120-B60	120	B 60	19	4.5	4.5	890	1379	408
GN 704-120-B65	120	B 65	19	4.5	4.5	890	1379	383
GN 704-120-B70	120	B 70	19	4.5	4.5	890	1379	355
GN 704-120-B75	120	B 75	19	4.5	4.5	890	1379	326

