

Flat cabinet "U" handles

Aluminium

SPECIFICATION

Types

- Type **A**: Mounting from the back (threaded blind bore)
- Type **B**: Mounting from the operator's side

Aluminium

plastic coated

black, RAL 9005, textured finish **SW**

silver, RAL 9006, textured finish **SR**

blank, tumbled **BL**

Handle base

Plastic

Technopolymer (Polyamide PA)

black, matt



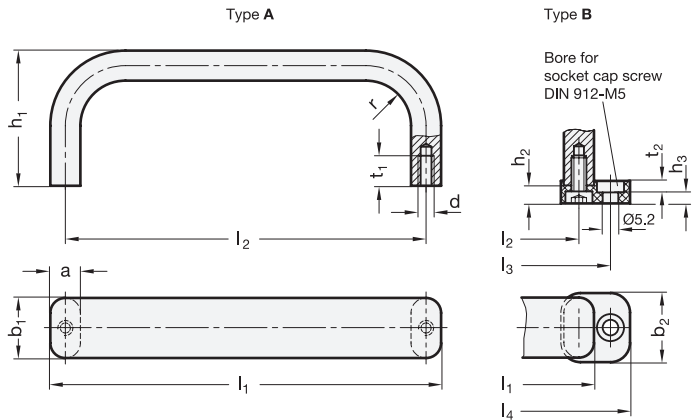
INFORMATION

Cabinet handles GN 668 are produced from aluminium extrusions. They can be mounted either from the back (type A) or by means of the handle base from the operator's side (type B).

The manufacturing process (bending) allows the production of **special lengths** in relatively small quantities.

TECHNICAL INFORMATION

- Load rating information (see page A35)



* Complete with colour index of the Flat cabinet "U" handles (SW, SR or BL)

SW RAL9005 **SR** RAL9006 **BL** blank

GN 668

Description	b1	l1 ±0.25	a	b2	d	h1	h2	h3	l2	l3	l4	r	t1 min.	t2	⚖️
GN 668-20-130-A-*	20	130	10	-	M 5	45	-	-	120	-	-	15	10	-	89
GN 668-20-170-A-*	20	170	10	-	M 5	45	-	-	160	-	-	15	10	-	111
GN 668-20-190-A-*	20	190	10	-	M 5	45	-	-	180	-	-	15	10	-	120
GN 668-20-210-A-*	20	210	10	-	M 5	45	-	-	200	-	-	15	10	-	125
GN 668-30-262-A-*	30	262	12	-	M 6	50	-	-	250	-	-	15	12	-	289
GN 668-30-312-A-*	30	312	12	-	M 6	50	-	-	300	-	-	15	12	-	334
GN 668-30-362-A-*	30	362	12	-	M 6	50	-	-	350	-	-	15	12	-	380
GN 668-30-412-A-*	30	412	12	-	M 6	50	-	-	400	-	-	15	12	-	425
GN 668-20-130-B-*	20	130	10	23	M 5	45	6.5	2	120	141	153	15	-	5.5	100
GN 668-20-170-B-*	20	170	10	23	M 5	45	6.5	2	160	181	193	15	-	5.5	120
GN 668-20-190-B-*	20	190	10	23	M 5	45	6.5	2	180	201	213	15	-	5.5	130
GN 668-20-210-B-*	20	210	10	23	M 5	45	6.5	2	200	221	233	15	-	5.5	136