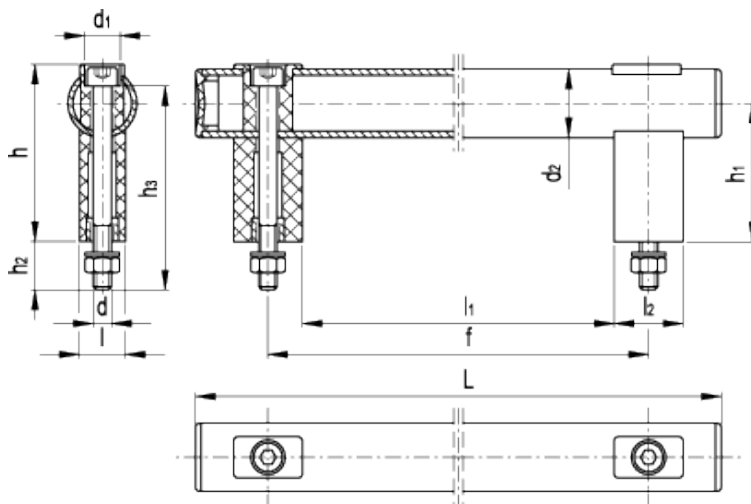


# GN 666.1

Tubular handles



## technical informations

### Tube

Aluminium, wall thickness 1.5 mm.

### Handle shanks

Polyamide based (PA) technopolymer, glas fibre reinforced, temperature resistant up to 100 °C.

### Tube end caps

Polyamide based (PA) technopolymer, glas fibre reinforced, temperature resistant up to 100 °C.

### Finish

#### - Version SW:

Tube: RAL 9005 black, matte finish, epoxy resin coating.

Handle shanks: black, matte finish.

Tube end caps: black, matte finish.

#### - Version EL:

Tube: anodised, natural colour.  
 Handle shanks: black, matte finish.  
 Tube end caps: black, matte finish.  
 - Version ELG:  
 Tube: anodised, natural colour.  
 Handle shanks: light grey, matte finish.  
 Tube end caps: light grey, matte finish.

### Assembly

Front mounting, black zinc-plated steel socket-head DIN 912-M8x85 screws and zinc-plated steel nuts and washers.

### Special executions on request (For sufficient quantities)

Different lengths.

### Features and applications

GN 666.1 tubular handles offer an even more extensive size range for any application which require mounting from the back.

Standard Elements	Main dimensions								Thread				Weight
Description	L	f	h	l	l <sub>1</sub>	l <sub>2</sub>	h <sub>1</sub>	d <sub>2</sub>	d	d <sub>1</sub>	h <sub>2</sub>	h <sub>3</sub>	g
GN 666.1-30-200-SW	265	200	77	18	170	30	60	30	M8	13	17	85	250
GN 666.1-30-200-EL	265	200	77	18	170	30	60	30	M8	13	17	85	250
GN 666.1-30-200-ELG	265	200	77	18	170	30	60	30	M8	13	17	85	250
GN 666.1-30-250-SW	315	250	77	18	220	30	60	30	M8	13	17	85	295
GN 666.1-30-250-EL	315	250	77	18	220	30	60	30	M8	13	17	85	295
GN 666.1-30-250-ELG	315	250	77	18	220	30	60	30	M8	13	17	85	265
GN 666.1-30-300-SW	365	300	77	18	270	30	60	30	M8	13	17	85	285
GN 666.1-30-300-EL	365	300	77	18	270	30	60	30	M8	13	17	85	285
GN 666.1-30-300-ELG	365	300	77	18	270	30	60	30	M8	13	17	85	285
GN 666.1-30-400-SW	465	400	77	18	370	30	60	30	M8	13	17	85	320
GN 666.1-30-400-EL	465	400	77	18	370	30	60	30	M8	13	17	85	320
GN 666.1-30-400-ELG	465	40	77	18	370	30	60	30	M8	13	17	85	320
GN 666.1-30-500-SW	565	500	77	18	470	30	60	30	M8	13	17	85	360
GN 666.1-30-500-EL	565	500	77	18	470	30	60	30	M8	13	17	85	360
GN 666.1-30-500-ELG	565	500	77	18	470	30	60	30	M8	13	17	85	360
GN 666.1-30-600-SW	665	600	77	18	570	30	60	30	M8	13	17	85	400
GN 666.1-30-600-EL	665	600	77	18	570	30	60	30	M8	13	17	85	400
GN 666.1-30-600-ELG	665	600	77	18	570	30	60	30	M8	13	17	85	440



STANDARD MACHINE ELEMENTS WORLDWIDE