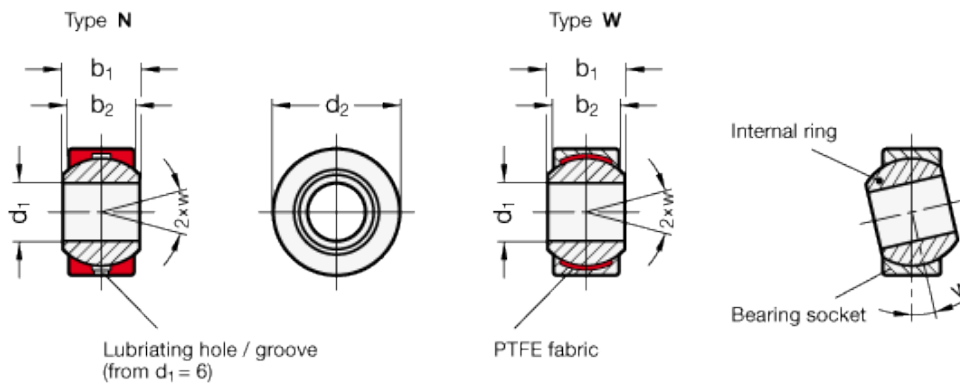


GN 648.8

Ball joints



technical informations

Bearing socket

- Type N: Brass, CuSn8
- Type W: Zinc-plated steel with PTFE-insert.

Internal ring

Hardened, ground and polished steel 100 Cr6.

Standard versions available

- Type N: Bronze / Steel, lubrication possible.
- Type W: Steel-PTFE / Steel, self lubricated.

Features and applications

Ball joints GN 648.8 are similar to DIN ISO 12240-4, series K.
These ball joints are intergrated in the ball joint heads GN 648.1 and GN 648.2.

Standard Elements

Main dimensions

Movement angle

Weight

Description	d ₁	d ₂ h6	b ₁	b ₂	w	g
GN 648.8-5-13-N	5	13	8	6	13	9
GN 648.8-5-13-W	5	13	8	6	13	9
GN 648.8-6-16-N	6	16	9	6.75	13	12
GN 648.8-6-16-W	6	16	9	6.75	13	12
GN 648.8-8-19-N	8	19	12	9	14	24
GN 648.8-8-19-W	8	19	12	9	14	23
GN 648.8-10-22-N	10	22	14	10.5	13	38
GN 648.8-10-22-W	10	22	14	10.5	13	37
GN 648.8-12-26-N	12	26	16	12	13	59
GN 648.8-12-26-W	12	26	16	12	13	57
GN 648.8-14-28-N	14	28*	19	13.5	16	85
GN 648.8-14-28-W	14	28*	19	13.5	16	82
GN 648.8-16-32-N	16	32	21	15	15	116
GN 648.8-16-32-W	16	32	21	15	15	112
GN 648.8-18-35-N	18	35	23	16.5	15	154
GN 648.8-18-35-W	18	35	23	16.5	15	151
GN 648.8-20-40-N	20	40	25	18	14	202
GN 648.8-20-40-W	20	40	25	18	14	197
GN 648.8-22-42-N	22	42	28	20	15	267
GN 648.8-22-42-W	22	42	28	20	15	254
GN 648.8-25-47-N	25	47	31	22	15	367
GN 648.8-25-47-W	25	47	31	22	15	353
GN 648.8-30-55-N	30	55	37	25	17	584
GN 648.8-30-55-W	30	55	37	25	17	562



STANDARD MACHINE ELEMENTS WORLDWIDE