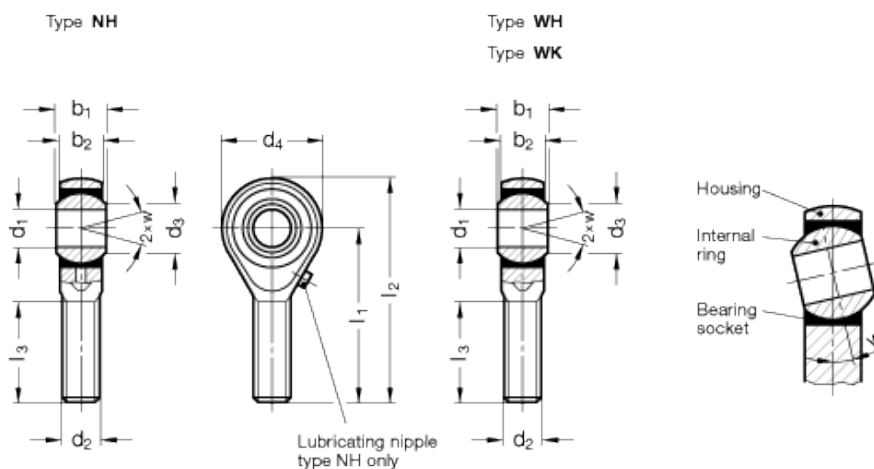


GN 648.6

Ball joints with threaded stud



INOX
Stainless Steel



technical informations

Housing

AISI 431 stainless steel.

Standard executions available

- Version NH (lubrication possible): bronze CuSn8 bearing socket, hardened, ground and polished steel internal ring, hard chrome plated.
- Version WH (self lubricated): bronze CuSn8 bearing socket with PTFE-insert, hardened, ground and polished steel internal ring, hard chrome plated.

Special executions on request (For sufficient quantities)

- Version WK (self lubricated): AISI 316 Ti stainless steel bearing socket with PTFE-insert, hardened, ground and polished German material no. 1.4034 stainless steel internal ring.
- Ball joints DIN ISO 12240-4, series E (narrow model) on request.

Features and applications

Ball joints GN 648.6 are similar to DIN ISO 12240-4, series K (formerly DIN 648 K).

Standard Elements	Main dimensions									Movement angle	Weight
Description	d _{1 H7}	d ₂	b _{1 -0.12}	b ₂	d ₃	d ₄	l ₁	l ₂	l ₃	w	g
GN 648.6-6-M6-NH	6	M6	9	6.75	8.9	20	36	46	22	13	20
GN 648.6-6-M6L-NH	6	M6L	9	6.75	8.9	20	36	46	22	13	20
GN 648.6-8-M8-NH	8	M8	12	9	10.4	24	42	54	25	14	40
GN 648.6-8-M8L-NH	8	M8L	12	9	10.4	24	42	54	25	14	40
GN 648.6-10-M10-NH	10	M10	14	10.5	12.9	28	48	62	29	13	63
GN 648.6-10-M10L-NH	10	M10L	14	10.5	12.9	28	48	62	29	13	62
GN 648.6-12-M12-NH	12	M12	16	12	15.4	32	54	70	33	13	95
GN 648.2-12-M12L-NH	12	M12L	16	12	15.4	32	54	70	33	13	95
GN 648.6-14-M14-NH	14	M14	19	13.5	16.8	36	60	78	38	16	133
GN 648.6-14-M14L-NH	14	M14L	19	13.5	16.8	36	60	78	38	16	135
GN 648.6-16-M16-NH	16	M16	21	15	19.3	42	66	87	40	15	203
GN 648.6-16-M16L-NH	16	M16L	21	15	19.3	42	66	87	40	15	202
GN 648.6-18-M18x1.5-NH	18	M18x1.5	23	16.5	21.8	46	72	95	44	15	278
GN 648.6-18-M18x1.5L-NH	18	M18x1.5L	23	16.5	21.8	46	72	95	44	15	287
GN 648.6-20-M20x1.5-NH	20	M20x1.5	25	18	24.3	50	78	103	47	14	354
GN 648.6-20-M20x1.5L-NH	20	M20x1.5L	25	18	24.3	50	78	103	47	14	351
GN 648.6-22-M22x1.5-NH	22	M22x1.5	28	20	25.8	54	84	111	51	15	460
GN 648.6-22-M22x1.5L-NH	22	M22x1.5L	28	20	25.8	54	84	111	51	15	463
GN 648.6-25-M24x2-NH	25	M24x2	31	22	29.6	60	94	124	58	15	631
GN 648.6-25-M24x2L-NH	25	M24x2L	31	22	29.6	60	94	124	58	15	610
GN 648.6-30-M30x2-NH	30	M30x2	37	25	34.8	70	110	145	71	17	1030
GN 648.6-30-M30x2L-NH	30	M30x2L	37	25	34.8	70	110	145	71	17	1030
GN 648.6-5-M5-WH*	5	M5	8	6	7.7	18	33	42	20	13	15
GN 648.6-5-M5L-WH*	5	M5L	8	6	7.7	18	33	42	20	13	14
GN 648.6-6-M6-WH	6	M6	9	6.75	8.9	20	36	46	22	13	19
GN 648.6-6-M6L-WH	6	M6L	9	6.75	8.9	20	36	46	22	13	20
GN 648.6-8-M8-WH	8	M8	12	9	10.4	24	42	54	25	14	41
GN 648.6-8-M8L-WH	8	M8L	12	9	10.4	24	42	54	25	14	38
GN 648.6-10-M10-WH	10	M10	14	10.5	12.9	28	48	62	29	13	61
GN 648.6-10-M10L-WH	10	M10L	14	10.5	12.9	28	48	62	29	13	62
GN 648.6-12-M12-WH	12	M12	16	12	15.4	32	54	70	33	13	96
GN 648.6-12-M12L-WH	12	M12L	16	12	15.4	32	54	70	33	13	93
GN 648.6-14-M14-WH	14	M14	19	13.5	16.8	36	60	78	38	16	134
GN 648.6-14-M14L-WH	14	M14L	19	13.5	16.8	36	60	78	38	16	133
GN 648.6-16-M16-WH	16	M16	21	15	19.3	42	66	87	40	15	203

GN 648.6-16-M16L-WH	16	M16L	21	15	19.3	42	66	87	40	15	201
GN 648.6-18-M18x1.5-WH	18	M18x1.5	23	16.5	21.8	46	72	95	44	15	274
GN 648.6-18-M18x1.5L-WH	18	M18x1.5L	23	16.5	21.8	46	72	95	44	15	270
GN 648.6-20-M20x1.5-WH	20	M20x1.5	25	18	24.3	50	78	103	47	14	351
GN 648.6-20-M20x1.5L-WH	20	M20x1.5L	25	18	24.3	50	78	103	47	14	350
GN 648.6-22-M22x1.5-WH	22	M22x1.5	28	20	25.8	54	84	111	51	15	463
GN 648.6-22-M22x1.5L-WH	22	M22x1.5L	28	20	25.8	54	84	111	51	15	460
GN 648.6-25-M24x2-WH	25	M24x2	31	22	29.6	60	94	124	58	15	642
GN 648.6-25-M24x2L-WH	25	M24x2L	31	22	29.6	60	94	124	58	15	630
GN 648.6-30-M30x2-WH	30	M30x2	37	25	34.8	70	110	145	71	17	1030
GN 648.6-30-M30x2L-WH	30	M30x2L	37	25	34.8	70	110	145	71	17	1030
GN 648.6-5-M5-WK*	5	M5	8	6	7.7	18	33	42	20	13	14
GN 648.6-5-M5L-WK*	5	M5L	8	6	7.7	18	33	42	20	13	13
GN 648.6-6-M6-WK	6	M6	9	6.75	8.9	20	36	46	22	13	19
GN 648.6-6-M6L-WK	6	M6L	9	6.75	8.9	20	36	46	22	13	19
GN 648.6-8-M8-WK	8	M8	12	9	10.4	24	42	54	25	14	38
GN 648.6-8-M8L-WK	8	M8L	12	9	10.4	24	42	54	25	14	37
GN 648.6-10-M10-WK	10	M10	14	10.5	12.9	28	48	62	29	13	61
GN 648.6-10-M10L-WK	10	M10L	14	10.5	12.9	28	48	62	29	13	60
GN 648.6-12-M12-WK	12	M12	16	12	15.4	32	54	70	33	13	94
GN 648.6-12-M12L-WK	12	M12L	16	12	15.4	32	54	70	33	13	94
GN 648.6-14-M14-WK	14	M14	19	13.5	16.8	36	60	78	38	16	133
GN 648.6-14-M14L-WK	14	M14	19	13.5	16.8	36	60	78	38	16	133
GN 648.6-16-M16-WK	16	M16	21	15	19.3	42	66	87	40	15	199
GN 648.6-16-M16L-WK	16	M16L	21	15	19.3	42	66	87	40	15	201
GN 648.6-18-M18x1.5-WK	18	M18x1.5	23	16.5	21.8	46	72	95	44	15	254
GN 648.6-18-M18x1.5L-WK	18	M18x1.5L	23	16.5	21.8	46	72	95	44	15	267
GN 648.6-20-M20x1.5-WK	20	M20x1.5	25	18	24.3	50	78	103	47	14	345
GN 648.6-20-M20x1.5L-WK	20	M20x1.5L	25	18	24.3	50	78	103	47	14	348
GN 648.6-22-M22x1.5-WK	22	M22x1.5	28	20	25.8	54	84	111	51	15	458
GN 648.6-22-M22x1.5L-WK	22	M22x1.5L	28	20	25.8	54	84	111	51	15	453
GN 648.6-25-M24x2-WK	25	M24x2	31	22	29.6	60	94	124	58	15	625
GN 648.6-25-M24x2L-WK	25	M24x2L	31	22	29.6	60	94	124	58	15	625
GN 648.6-30-M30x2-WK	30	M30x2	37	25	34.8	70	110	145	71	17	1030
GN 648.6-30-M30x2L-WK	30	M30x2L	37	25	34.8	70	110	145	71	17	1030



STANDARD MACHINE ELEMENTS WORLDWIDE