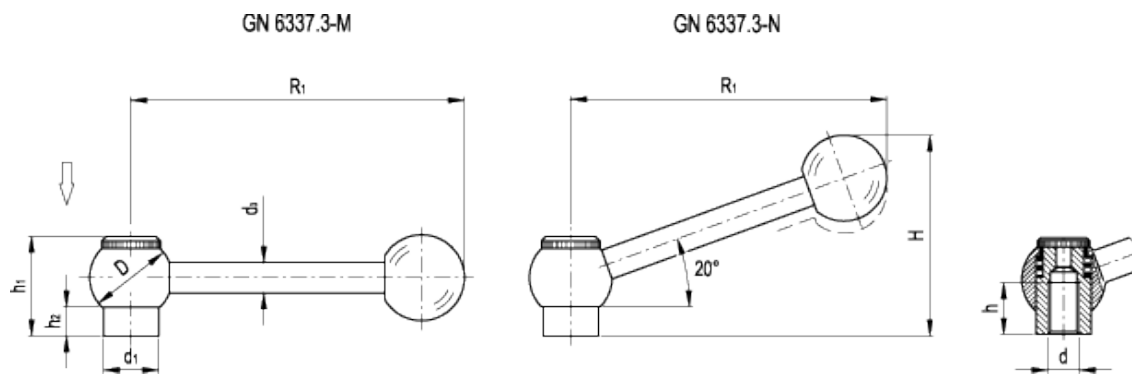


# GN 6337.3

Adjustable handles  
with push action



## technical informations

### Lever body

Turned and polished black-oxide steel.

### Handle

Phenolic based (PF) Duroplast, black colour, glossy finish type [DIN 319](#). Resistant to solvents, oils, greases and other chemical agents.

Arm available in two executions:

- straight arm (type M)
- inclined arm by a 20° angle (type N).

### Clamping element

Black-oxide steel with threaded hole and toothed element for coupling to the lever body, black-oxide steel retaining screw, treated steel return spring.

### Features and applications

Particularly suitable when the lever turning angle is limited owing to lack of space.

### Instructions of use

By pressing the lever, toothing is disengaged and the handle can be placed in the most suitable position for the operation. As it is released, the handle is automatically engaged.  
 If the lever cannot make a 360° rotation, the clamping element can be easily screwed by means of the knurled screw (after having disengaged the lever).

Standard Elements	Main dimensions							Mounting hole		Weight
Description	D	R <sub>1</sub>	H	h <sub>1</sub>	h <sub>2</sub>	d <sub>1</sub>	d <sub>3</sub>	d	h	g
GN 6337.3-20-M6-M	20	74	-	25	8	13.5	8.5	M6	12	61
GN 6337.3-20-M6-N	20	70	46	25	8	13.5	8.5	M6	12	61
GN 6337.3-20-M8-M	20	74	-	25	8	13.5	8.5	M8	12	58
GN 6337.3-20-M8-N	20	70	46	25	8	13.5	8.5	M8	12	58
GN 6337.3-25-M8-M	25	93	-	29	8	16	11	M8	15	114
GN 6337.3-25-M8-N	25	87	58	29	8	16	11	M8	15	114
GN 6337.3-25-M10-M	25	93	-	29	8	16	11	M10	15	111
GN 6337.3-25-M10-N	25	87	58	29	8	16	11	M10	15	111
GN 6337.3-28-M10-M	28	116	-	33.5	10.5	19	13	M10	18	189
GN 6337.3-28-M10-N	28	109	70.5	33.5	10.5	19	13	M10	18	189
GN 6337.3-28-M12-M	28	116	-	33.5	10.5	19	13	M12	18	183
GN 6337.3-28-M12-N	28	109	70.5	33.5	10.5	19	13	M12	18	183



STANDARD MACHINE ELEMENTS WORLDWIDE