

Stainless Steel-Hand knobs

Material no. AISI 316 (A4)

SPECIFICATION

Types

- Type **D**: with threaded through bore
- Type **E**: with threaded blind bore

Stainless Steel precision casting **A4**

- AISI 316
- polished **PL**

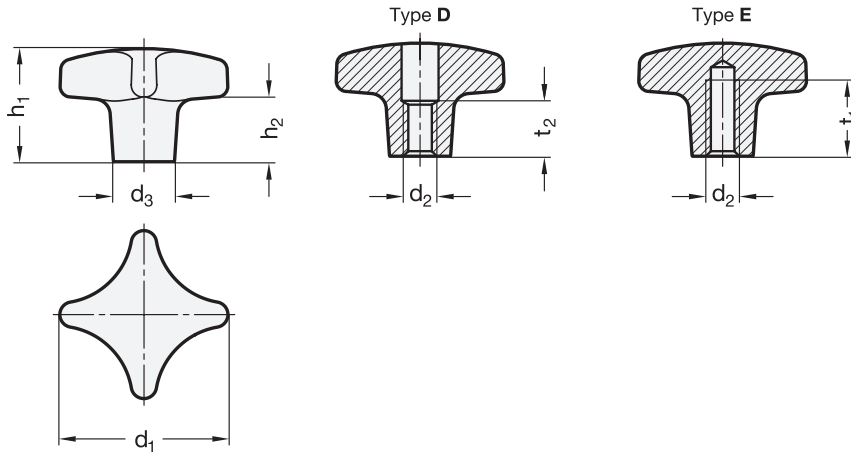
INFORMATION

Stainless Steel-Hand knobs GN 6335 satisfy the dimensions of the DIN 6335 (see page) but differ in terms of their non-scooping geometry, which makes cleaning easier and helps prevent possible build-up of dirt.

They are suitable for areas with special hygiene requirements and, thanks to the material used, for applications in highly corrosive environments.

TECHNICAL INFORMATION

- Stainless Steel characteristics (see page A26)



GN 6335

STAINLESS STEEL

Description	d1	d2	d3	h1	h2	t1 min.	t2	⚖
GN 6335-A4-32-M6-D-PL	32	M 6	12	20	9	-	10	36
GN 6335-A4-40-M8-D-PL	40	M 8	14	25	13	-	13	57
GN 6335-A4-50-M10-D-PL	50	M 10	18	32	18	-	16	109
GN 6335-A4-63-M12-D-PL	63	M 12	20	40	23	-	20	194
GN 6335-A4-32-M6-E-PL	32	M 6	12	20	9	12	-	39
GN 6335-A4-40-M8-E-PL	40	M 8	14	25	13	15	-	59
GN 6335-A4-50-M10-E-PL	50	M 10	18	32	18	18	-	114
GN 6335-A4-63-M12-E-PL	63	M 12	20	40	23	22	-	207