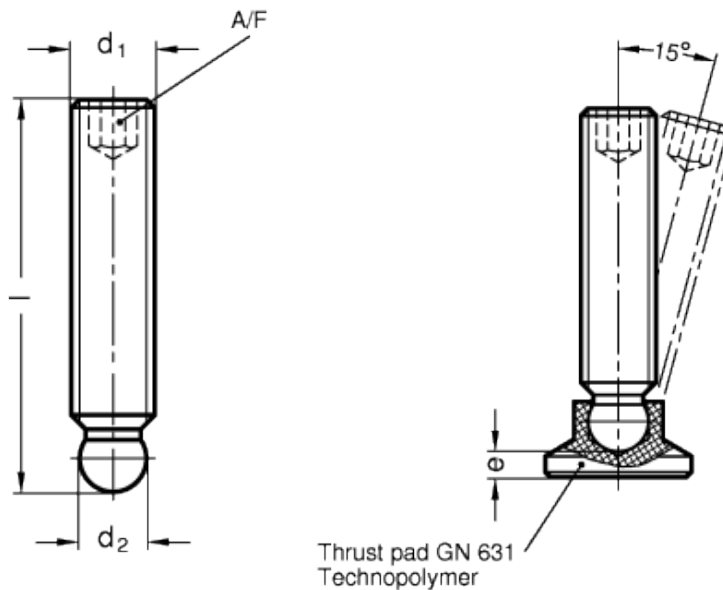


GN 632.5

Grub screws with spherical end



INOX
Stainless Steel



technical informations

Material

AISI 303 stainless steel, hexagon socket head.

Special executions on request (For sufficient quantities)

Different threadings and lengths.

Features and applications

GN 632.5 grub screws can be used to realize different locking systems. On irregular or non-parallel surfaces, we suggest to couple them with technopolymer thrust pads type [GN 631](#), which prevent the rotating movement of the screw from being exerted directly on the piece to be locked, protecting it from possible scratches. Levers, knobs or other handles can be also fitted to the threaded end by means of pins.

Diameter d_2 of the ball is smaller than diameter d_1 of the screw, which allows the screwing from the spherical side.

AISI 303 stainless steel, thanks to its high resistance to corrosion, allows the application of these grub screws on machines and equipment in those sectors where laws or particular hygienic, climatic and environmental factors make it mandatory to use corrosion resistant materials.

Elesa-Gantergriff		Main dimensions				Thrust pad GN 631.5						Weight
Code	Description	d_1	l	$d_{2+0.05}$	A/F	$d_1 - e$						g
GN.12253	GN 632.5-M6-30	M6	30	4.5*	3	15-3.6	18-5.2	21-6	25-6.5	32-7	-	5
GN.12255	GN 632.5-M6-40	M6	40	4.5*	3	15-3.6	18-5.2	21-6	25-6.5	32-7	-	8
GN.12257	GN 632.5-M6-50	M6	50	4.5*	3	15-3.6	18-5.2	21-6	25-6.5	32-7	-	10
-	GN 632.5-M8-25	M8	25	6.1	4	15-2.5	18-4.2	21-5	25-5.5	32-6	40-8	6
GN.12263	GN 632.5-M8-40	M8	40	6.1	4	15-2.5	18-4.2	21-5	25-5.5	32-6	40-8	12
GN.12265	GN 632.5-M8-50	M8	50	6.1	4	15-2.5	18-4.2	21-5	25-5.5	32-6	40-8	15
GN.12267	GN 632.5-M8-63	M8	63	6.1	4	15-2.5	18-4.2	21-5	25-5.5	32-6	40-8	19
-	GN 632.5-M10-40	M10	40	7.8	5	18-3.8	21-4.3	25-4.6	32-5	40-7	-	17
GN.12273	GN 632.5-M10-50	M10	50	7.8	5	18-3.8	21-4.3	25-4.6	32-5	40-7	-	22
GN.12275	GN 632.5-M10-63	M10	63	7.8	5	18-3.8	21-4.3	25-4.6	32-5	40-7	-	29
GN.12277	GN 632.5-M10-80	M10	80	7.8	5	18-3.8	21-4.3	25-4.6	32-5	40-7	-	37
-	GN 632.5-M12-40	M12	40	9.4	6	21-3.4	25-3.6	32-4.2	40-6.2	-	-	20
GN.12283	GN 632.5-M12-63	M12	63	9.4	6	21-3.4	25-3.6	32-4.2	40-6.2	-	-	41
GN.12285	GN 632.5-M12-80	M12	80	9.4	6	21-3.4	25-3.6	32-4.2	40-6.2	-	-	53
GN.12287	GN 632.5-M12-100	M12	100	9.4	6	21-3.4	25-3.6	32-4.2	40-6.2	-	-	68

* Tolerance ± 0.025



ELESA and GANTER models all rights reserved in accordance with the law. Always mention the source when reproducing our drawings.

STANDARD MACHINE ELEMENTS WORLDWIDE