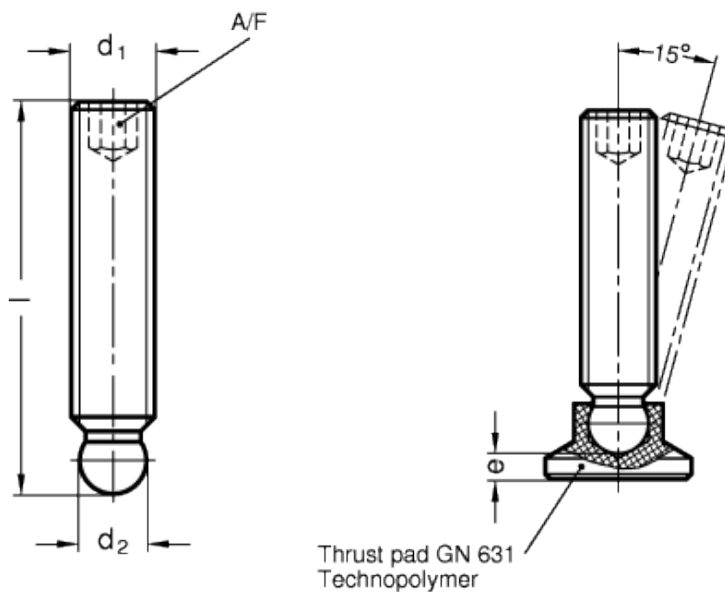


GN 632.1

Grub screws with spherical end



technical informations

Material

Black-oxide steel, class 5.8 (tensile strength 500 N/mm²), hexagon socket head.

Special executions on request (For sufficient quantities)

Different threadings and lengths.

Features and applications

GN 632.1 grub screws can be used to realize different locking systems. On irregular or non-parallel surfaces, we suggest to couple them with technopolymer thrust pads type [GN 631](#), which prevent the rotating movement of the screw from being exerted directly on the piece to be locked, protecting it from possible scratches. Levers, knobs or other handles can be also fitted to the threaded end by means of pins.

Diameter d_2 of the ball is smaller than diameter d_1 of the screw, which allows the screwing from the spherical side.

Elesa-Gantergriff		Main dimensions				Thrust pad GN 631						Weight
Code	Description	d_1	l	$d_{2+0.05}$	A/F	d_{1-e}						g
GN.12203	GN 632.1-M6-30	M6	30	4.5*	3	15-3.6	18-5.2	21-6	25-6.5	32-7	-	5
GN.12205	GN 632.1-M6-40	M6	40	4.5*	3	15-3.6	18-5.2	21-6	25-6.5	32-7	-	8
GN.12207	GN 632.1-M6-50	M6	50	4.5*	3	15-3.6	18-5.2	21-6	25-6.5	32-7	-	10
-	GN 632.1-M8-25	M8	25	6.1	4	15-2.5	18-4.2	21-5	25-5.5	32-6	40-8	7
GN.12213	GN 632.1-M8-40	M8	40	6.1	4	15-2.5	18-4.2	21-5	25-5.5	32-6	40-8	12
GN.12215	GN 632.1-M8-50	M8	50	6.1	4	15-2.5	18-4.2	21-5	25-5.5	32-6	40-8	15
GN.12217	GN 632.1-M8-63	M8	63	6.1	4	15-2.5	18-4.2	21-5	25-5.5	32-6	40-8	19
-	GN 632.1-M10-40	M10	40	7.8	5	18-3.8	21-4.3	25-4.6	32-5	40-7	-	16
GN.12223	GN 632.1-M10-50	M10	50	7.8	5	18-3.8	21-4.3	25-4.6	32-5	40-7	-	22
GN.12225	GN 632.1-M10-63	M10	63	7.8	5	18-3.8	21-4.3	25-4.6	32-5	40-7	-	29
GN.12227	GN 632.1-M10-80	M10	80	7.8	5	18-3.8	21-4.3	25-4.6	32-5	40-7	-	37
-	GN 632.1-M12-40	M12	40	9.4	6	21-3.4	25-3.6	32-4.2	40-6.2	-	-	20
GN.12233	GN 632.1-M12-63	M12	63	9.4	6	21-3.4	25-3.6	32-4.2	40-6.2	-	-	41
GN.12235	GN 632.1-M12-80	M12	80	9.4	6	21-3.4	25-3.6	32-4.2	40-6.2	-	-	53
GN.12237	GN 632.1-M12-100	M12	100	9.4	6	21-3.4	25-3.6	32-4.2	40-6.2	-	-	68

* Tolerance ± 0.025



ELESA and GANTER models all rights reserved in accordance with the law. Always mention the source when reproducing our drawings.

STANDARD MACHINE ELEMENTS WORLDWIDE