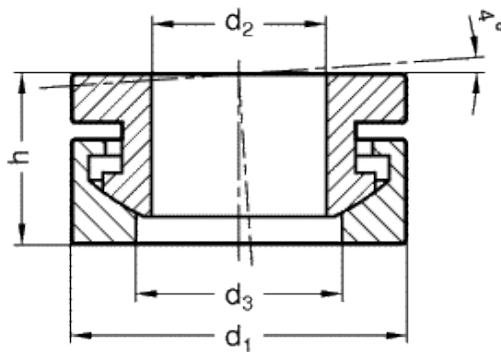
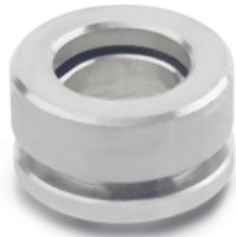


# GN 6319.1-NI

Spherical washers combinations



INOX  
Stainless Steel



technical informations

**Material**

AISI 303 stainless steel.

*Features and applications*

Spherical washers combinations GN 6319.1-NI provide an "und detachable" connection for male and female spherical washers GN 6319.

They simply storage and allow fast and efficient installation.

Standard Elements	Main dimensions					Static load F	Weight
Description	d <sub>1</sub>	d <sub>2</sub>	d <sub>3</sub>	h	for screw	in kN	g
GN 6319.1-13-NI	13	6.4	7.4	7	M6	*	10
GN 6319.1-17-NI	17	8.4	9.7	8.5	M8	*	19
GN 6319.1-21-NI	21	10.5	12	10.5	M10	*	20
GN 6319.1-25-NI	25	13	14.8	13	M12	*	25
GN 6319.1-32-NI	32	17	19.7	17	M16	*	60
GN 6319.1-40-NI	40	21	24.6	20.3	M20	*	80

\* Values for static load F in kN on request.



STANDARD MACHINE ELEMENTS WORLDWIDE