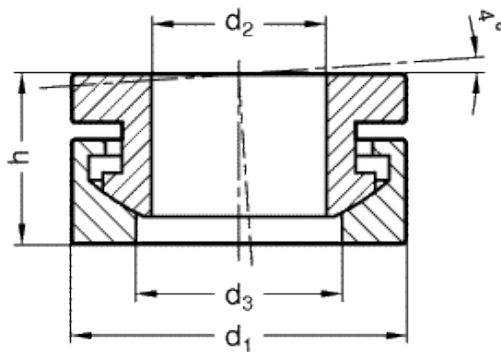
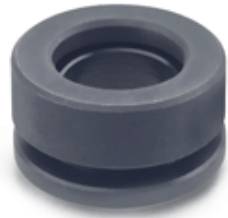


# GN 6319.1

Spherical washers combinations



## technical informations

### Material

Case-hardened steel ST (hardening depth 0.2 - 0.4 mm), hardness (550 + 100) HV 10.

### Features and applications

Spherical washers combinations GN 6319.1 provide an "und detachable" connection for male and female spherical washers GN 6319.

They simply storage and allow fast and efficient installation.

Standard Elements	Main dimensions					Static load F	Weight
Description	d <sub>1</sub>	d <sub>2</sub>	d <sub>3</sub>	h	for screw	in kN	g
GN 6319.1-13-ST	13	6.4	7.4	7	M6	9	4
GN 6319.1-17-ST	17	8.4	9.7	8.5	M8	17	10
GN 6319.1-21-ST	21	10.5	12	10.5	M10	26	20
GN 6319.1-25-ST	25	13	14.8	13	M12	38	28
GN 6319.1-32-ST	32	17	19.7	17	M16	73	62
GN 6319.1-40-ST	40	21	24.6	20.3	M20	113	113



STANDARD MACHINE ELEMENTS WORLDWIDE