

## Thrust pads

Steel / Stainless Steel, for grub screws DIN 6332, tommy screws DIN 6304 / DIN 6306

### SPECIFICATION

#### Types

- Type **A**: Thrust pad surface plain, without plastic cap
- Type **K**: Thrust pad surface plane, with plastic cap
- Type **P**: Thrust pad surface with detent, without plastic cap

#### Thrust pad

- Steel, blackened
- Stainless Steel AISI 304 **NI**

#### Retaining spring

Stainless Steel AISI 301

#### Plastic cap (Polyacetal POM)

- natural colour
- temperature resistant up to 100 °C

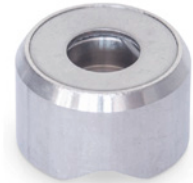
### INFORMATION

Thrust pads GN 6311.1 are used in conjunction with grub screws fitted with thrust point (grub screws DIN 6332 (see page 912), tommy screws DIN 6304 (see page 407) and DIN 6306 (see page 409) to transmit clamping force. They align themselves on uneven and non-parallel surfaces and thus prevent the rotating force being transmitted to the workpiece.

The plastic cap (type K) prevents damage to delicate workpieces.

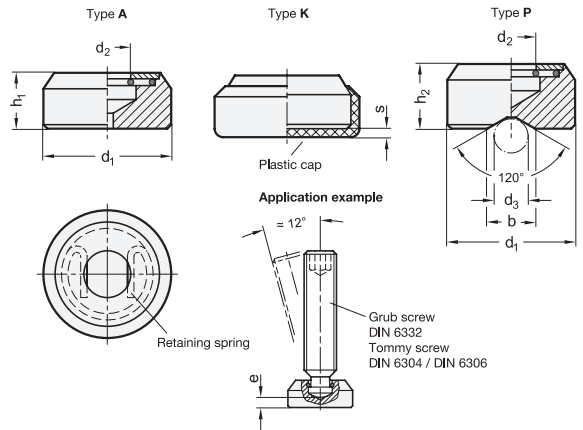
The unique shape of the retaining spring permits easy insertion and removal of grub screws into or from the thrust pad.

Thrust pads GN 6311.1 can be used in conjunction with DIN 6332 (see page 912) grub screws as levelling feet.



### TECHNICAL INFORMATION

- Plastic characteristics (see page A2)
- Stainless Steel characteristics (see page A26)



### GN 6311.1

Description	d1	b	d2 +0.2	d3 min.	d3 max.	e ≈	h1	h2	s	Grub screw DIN 6332	
GN 6311.1-12-A	12	8	5.2	7.5	16	1.5	6	-	1.5	M6	4
GN 6311.1-16-A	16	10	6.3	7.5	20	2.2	8	-	1.5	M8	11
GN 6311.1-20-A	20	12	9.2	7.5	24	2.6	10	-	1.5	M10   M12	18
GN 6311.1-25-A	25	16	9.2	7.5	32	2.9	11	-	1.5	M10   M12	34
GN 6311.1-32-A	32	22	12.5	7.5	44	4.5	14	-	1.5	M16	70
GN 6311.1-40-A	40	25	16.5	7.5	50	4.5	16	-	1.5	M20	125
GN 6311.1-12-P	12	8	5.2	7.5	16	4.5	-	9	1.5	M6	5
GN 6311.1-16-P	16	10	6.3	7.5	20	5.3	-	11	1.5	M8	13
GN 6311.1-20-P	20	12	9.2	7.5	24	5.6	-	13	1.5	M10   M12	24
GN 6311.1-25-P	25	16	9.2	7.5	32	6.9	-	15	1.5	M10   M12	43
GN 6311.1-32-P	32	22	12.5	7.5	44	9.2	-	19	1.5	M16	80
GN 6311.1-40-P	40	25	16.5	7.5	50	10.5	-	22	1.5	M20	130
GN 6311.1-12-K	12	8	5.2	7.5	16	-	6	-	1.5	M6	6
GN 6311.1-16-K	16	10	6.3	7.5	20	-	8	-	1.5	M8	12
GN 6311.1-20-K	20	12	9.2	7.5	24	-	10	-	1.5	M10   M12	22
GN 6311.1-25-K	25	16	9.2	7.5	32	-	11	-	1.5	M10   M12	35
GN 6311.1-32-K	32	22	12.5	7.5	44	-	14	-	1.5	M16	74
GN 6311.1-40-K	40	25	16.5	7.5	50	-	16	-	1.5	M20	155

### GN 6311.1-NI

### STAINLESS STEEL

Description	d1	b	d2 +0.2	d3 min.	d3 max.	e ≈	h1	h2	s	Grub screw DIN 6332	
GN 6311.1-12-A-NI	12	8	5.2	7.5	16	1.5	6	-	1.5	M6	4
GN 6311.1-16-A-NI	16	10	6.3	7.5	20	2.2	8	-	1.5	M8	11
GN 6311.1-20-A-NI	20	12	9.2	7.5	24	2.6	10	-	1.5	M10   M12	18
GN 6311.1-25-A-NI	25	16	9.2	7.5	32	2.9	11	-	1.5	M10   M12	30
GN 6311.1-32-A-NI	32	22	12.5	7.5	44	4.5	14	-	1.5	M16	70
GN 6311.1-40-A-NI	40	25	16.5	7.5	50	4.5	16	-	1.5	M20	127
GN 6311.1-12-P-NI	12	8	5.2	7.5	16	4.5	-	9	1.5	M6	5
GN 6311.1-16-P-NI	16	10	6.3	7.5	20	5.3	-	11	1.5	M8	10
GN 6311.1-20-P-NI	20	12	9.2	7.5	24	5.6	-	13	1.5	M10   M12	22
GN 6311.1-25-P-NI	25	16	9.2	7.5	32	6.9	-	15	1.5	M10   M12	35
GN 6311.1-32-P-NI	32	22	12.5	7.5	44	9.2	-	19	1.5	M16	74
GN 6311.1-40-P-NI	40	25	16.5	7.5	50	10.5	-	22	1.5	M20	161
GN 6311.1-12-K-NI	12	8	5.2	7.5	16	-	6	-	1.5	M6	6
GN 6311.1-16-K-NI	16	10	6.3	7.5	20	-	8	-	1.5	M8	13
GN 6311.1-20-K-NI	20	12	9.2	7.5	24	-	10	-	1.5	M10   M12	24
GN 6311.1-25-K-NI	25	16	9.2	7.5	32	-	11	-	1.5	M10   M12	44
GN 6311.1-32-K-NI	32	22	12.5	7.5	44	-	14	-	1.5	M16	88
GN 6311.1-40-K-NI	40	25	16.5	7.5	50	-	16	-	1.5	M20	161