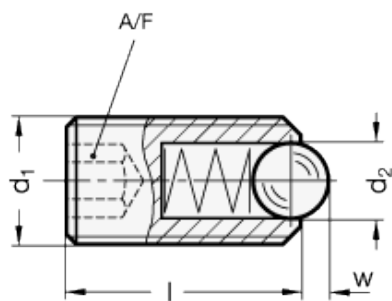


GN 615.3

Threaded ball spring plungers



Thread locking **PFB**
Polyamide patch
for type **K**



Thread locking **PFB**
Polyamide patch
for type **KS**



Thread locking **MVK**
Micro encapsulation precote
(for all types)



technical informations

Threaded body

Black-oxide steel, hexagon socket head.

Ball and spring

- Version K: hardened steel ball, steel spring with normal end-force.
- Version KS: zinc-plated steel ball, steel spring with heavy end-force.

Thread locking

- Version K-PFB: thread locking by means of polyamide blue coating (only M3 to M16) (see [Technical Data](#)).
 - Version KS-PFB: thread locking by means of polyamide green coating (see [Technical Data](#)).
- Working temperature: from -50°C to +90°C.

Special executions on request (For sufficient quantities)

- Version PFB: thread locking by means of polyamide blue coating (M20 and M24) (see [Technical Data](#)).
- Version K-MVK, KS-MVK: thread locking by means of micro-encapsulated red patch (see [Technical Data](#)). Working

temperature: from -40°C to +170°C.

Features and applications

GN 615.3 threaded ball spring plungers represent a further development of plungers type [GN 615](#), for special applications which require the fixation by means of a hexagon socket screw.

Standard Elements	Main dimensions					Spring pressure in N \approx		Weight g
	Description	d ₁	d ₂	l ± 0.1	w	A/F	Preload	
GN 615.3-M3-K	M3	1.5	8	0.4	1.5	3	4.5	2
GN 615.3-M4-K	M4	2.5	12	0.8	2	6	14	4
GN 615.3-M5-K	M5	3	14	0.9	2.5	8	14	5
GN 615.3-M6-K	M6	3.5	15	1	3	11	18	6
GN 615.3-M8-K	M8	4.5	18	1.5	4	18	31	10
GN 615.3-M10-K	M10	6	23	2	5	24	45	12
GN 615.3-M12-K	M12	8	26	2.5	6	26	49	25
GN 615.3-M16-K	M16	10	33	3.5	8	41	86	32
GN 615.3-M20-K	M20	12	43	4.5	10	56	111	36
GN 615.3-M24-K	M24	15	48	5.5	12	81	151	42
GN 615.3-M5-KS	M5	3	14	0.9	2.5	15	22	1
GN 615.3-M6-KS	M6	3.5	15	1	3	19	28	2
GN 615.3-M8-KS	M8	4.5	18	1.5	4	36	62	4
GN 615.3-M10-KS	M10	6	23	2	5	57	104	8
GN 615.3-M12-KS	M12	8	26	2.5	6	61	110	13
GN 615.3-M16-KS	M16	10	33	3.5	7	68	142	32
GN 615.3-M20-KS	M20	12	43	4.5	10	84	166	36
GN 615.3-M24-KS	M24	15	48	5.5	12	127	237	42



ELESA and GANTER models all rights reserved in accordance with the law. Always mention the source when reproducing our drawings.

STANDARD MACHINE ELEMENTS WORLDWIDE