

Spring plungers

without thread, with collar

SPECIFICATION

Type

- Type **K**: Steel, standard spring load

Housing
Steel
blackened

Bolt
Steel
blackened, case

Spring
Stainless Steel AISI 631

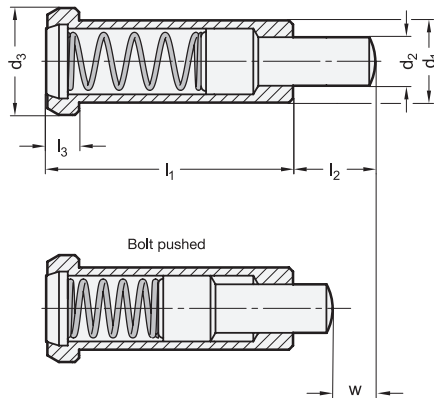


INFORMATION

GN 614.6 spring plungers are primarily used in toolmaking as spring-loaded stops as well as for pressure and hold-off functions. Tolerance d_1 H7 is recommended for the mounting hole.

TECHNICAL INFORMATION

- ISO-Fundamental tolerances (see page A21)



GN 614.6

Description	d_1 -0.05	d_2	d_3	l_1	l_2	l_3	w	Spring load in N \approx initial	Spring load in N \approx end	Δ
GN 614.6-6-K	6	2.7	8	20	6	3.2	3.5	10	22	4
GN 614.6-8-K	8	3.9	10	24	8	3.2	4.5	30	88	8
GN 614.6-10-K	10	5.9	13	30	10	4	5.5	42	110	16
GN 614.6-12-K	12	7.9	16	36	12	5	6.5	50	130	27