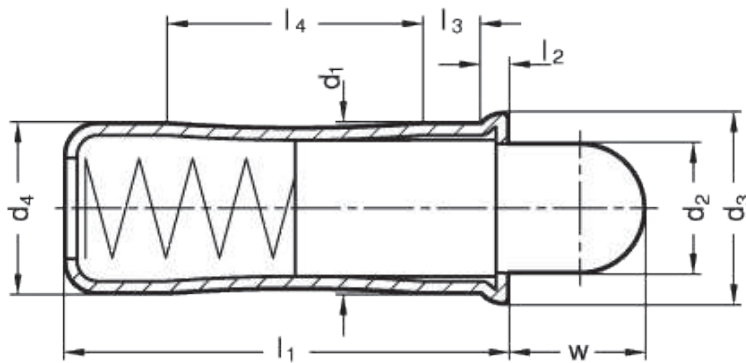


GN 614.4-NI

Spring plungers



INOX
Stainless Steel



technical informations

Body

AISI 305 stainless steel.

Bolt

AISI 303 stainless steel.

Spring

AISI 631 stainless steel.

Features and Applications

Spring plungers GN 614.4 are used for locking, as pressing and back-off pins, but also as impact dampers. A tolerance of H7 for the location hole of d1 is recommended.

Standard Elements	Main dimensions									Spring load		Weight
Description	$d_1 +0.1$	d_2	d_3	$d_4 \pm 0.05$	l_1	$l_2 \approx$	$l_3 \approx$	$l_4 \approx$	w	Preload in N \approx	Max. load in N \approx	g
GN 614.4-4-NI	4	2.8	4.6	4	10.7	0.9	1.8	5.6	2.7	3	8.2	-
GN 614.4-5-NI	5	3.8	5.6	5	12	0.9	2.1	6	4	3.3	9	-
GN 614.4-6-NI	6	4.8	6.5	6	15	1	2.3	8.2	5.5	6.1	12	-
GN 614.4-8-NI	8	6.2	8.5	8	18	1.1	2.9	9.5	6.5	10.7	17	-
GN 614.4-10-NI	10	8	11	10	26	1.5	3.5	15	8	16.2	29	-



STANDARD MACHINE ELEMENTS WORLDWIDE