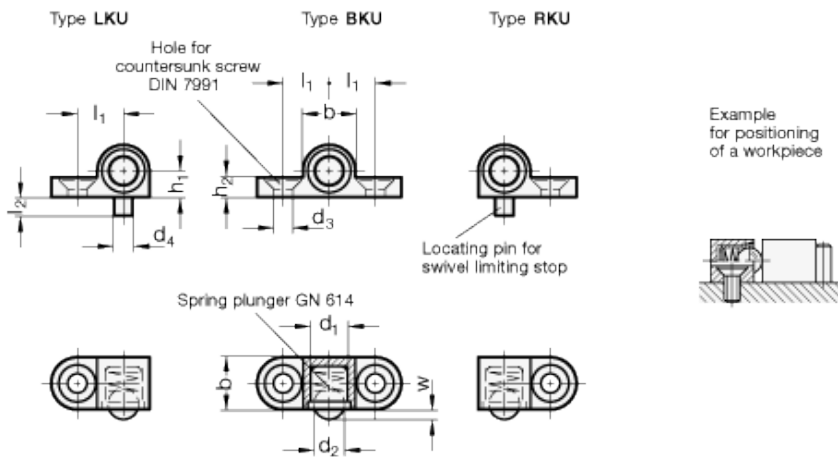


GN 614.1

Side thrust springs



technical informations

Holder

Zinc alloy die-cast, nickel plated.

Spring plunger

- Housing: Plastic based Polyacetal (POM). Maximum working temperature +50 °C.
- Ball: AISI 420C stainless steel, hardened.

Standard versions available

- Type LKU: Fixing from the left, with spring plunger.
- Type RKU: Fixing from the right, with spring plunger.
- Type BKU: Fixing from both sides, with spring plunger.

Features and Applications

Side thrust pins GN 614.1 are used for arresting and as press-on or press-off elements. The easy attachment using one or two

countersunk screws also allows its use where a location borehole with the tolerance field H7 for the spring plunger would not be possible from its size and manufacturability.
 Side thrust pins GN 614.1 consist of a holder for spring plungers and a Stainless Steel-Spring plunger GN 614 of type KU.

| Standard Elements | Main dimensions | | | | | | | | | Mounting hole | | Weight |
|-------------------|-----------------|----------------|----------------------|------|----------------------|----------------|----------------------|----------------|-------------------|----------------|-------|--------|
| Description | d ₁ | d ₂ | d ₄ -0.05 | b | h ₁ ±0.05 | h ₂ | l ₁ ±0.05 | l ₂ | w _{-0.1} | d ₃ | Screw | g |
| GN 614.1-6-LKU | 6 | 5 | 3 | 8.5 | 4.25 | 3.2 | 7.5 | 3 | 1.5 | 3.2 | M3 | 4 |
| GN 614.1-8-LKU | 8 | 6.5 | 4 | 10.5 | 5.25 | 4.2 | 9.5 | 4 | 1.8 | 4.3 | M4 | 7 |
| GN 614.1-6-RKU | 6 | 5 | 3 | 8.5 | 4.25 | 3.2 | 7.5 | 3 | 1.5 | 3.2 | M3 | 4 |
| GN 614.1-8-RKU | 8 | 6.5 | 4 | 10.5 | 5.25 | 4.2 | 9.5 | 4 | 1.8 | 4.3 | M4 | 7 |
| GN 614.1-6-BKU | 6 | 5 | 3 | 8.5 | 4.25 | 3.2 | 7.5 | 3 | 1.5 | 3.2 | M3 | 5 |
| GN 614.1-8-BKU | 8 | 6.5 | 4 | 10.5 | 5.25 | 4.2 | 9.5 | 4 | 1.8 | 4.3 | M4 | 7 |



ELESA and GANTER models all rights reserved in accordance with the law. Always mention the source when reproducing our drawings.

STANDARD MACHINE ELEMENTS WORLDWIDE