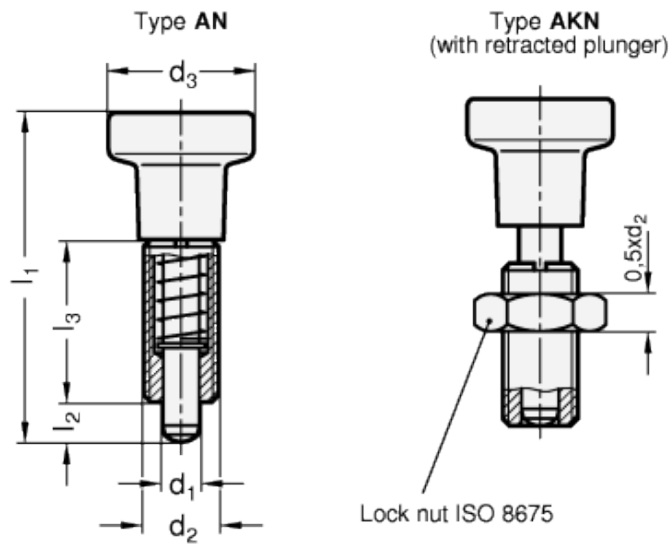


GN 613-NI

Indexing plungers



INOX
Stainless Steel



technical informations

Threaded body

AISI 303 stainless steel.

Plunger

Nickel-plated AISI 303 stainless steel. Suggested matching hole in H7 tolerance.

Locking nut

AISI 304 stainless steel.

"Push/Pull" knob

High resilience polyamide based (PA) technopolymer, black colour, matte finish. Resistant to solvents, oils, greases and other chemical agents.

Standard executions available

- Version A: with knob, without locking nut.
- Version AK: with knob and locking nut, ISO 8675.
- Version G: without knob, without locking nut.
- Version GK: without knob, with locking nut, ISO 8675.

Executions G and GK, without knob, are provided with threaded drive rod for combination with a knob on customer's request or to join the rod to an operating mechanism of the machine.

Features and applications

GN 613-NI indexing plungers are used where positioning operations are required. AISI 303 stainless steel, thanks to its high resistance to corrosion, allows the application of these indexing plungers on machines and equipment in those sectors where laws or particular hygienic, climatic and environmental factors make it mandatory to use corrosion resistant materials.

Standard Elements	Main dimensions								Spring pressure in N		Screw driver	Weight
	Description	d ₁ -0.02/-0.04	l ₁ ≈	d ₂	d ₃	d ₄	l ₃	l ₂ min.	l ₄	Preload in N ≈		
GN 613-5-A-NI	5	45	M10x1	21	-	22	5	-	6	15	GN 613.1-5	18
GN 613-6-A-NI	6	54.5	M12x1.5	25	-	26	6	-	8	21	GN 613.1-6	29
GN 613-8-A-NI	8	69	M16x1.5	31	-	34	8	-	9	26	GN 613.1-8	62
GN 613-10-A-NI	10	80	M20x1.5	31	-	43	10	-	17	40	GN 613.1-10	92
GN 613-5-AK-NI	5	45	M10x1	21	-	22	5	-	6	15	GN 613.1-5	25
GN 613-6-AK-NI	6	54.5	M12x1.5	25	-	26	6	-	8	21	GN 613.1-6	38
GN 613-8-AK-NI	8	69	M16x1.5	31	-	34	8	-	9	26	GN 613.1-8	82
GN 613-10-AK-NI	10	80	M20x1.5	31	-	43	10	-	17	40	GN 613.1-10	127
GN 613-5-G-NI	5	45	M10x1	21	M5	22	5	6	6	15	GN 613.1-5	14
GN 613-6-G-NI	6	54.5	M12x1.5	25	M6	26	6	10	8	21	GN 613.1-6	19
GN 613-8-G-NI	8	69	M16x1.5	31	M8	34	8	12	9	26	GN 613.1-8	59
GN 613-10-G-NI	10	80	M20x1.5	31	M8	43	10	12	17	40	GN 613.1-10	88
GN 613-5-GK-NI	5	45	M10x1	21	M5	22	5	6	6	15	GN 613.1-5	21
GN 613-6-GK-NI	6	54.5	M12x1.5	25	M6	26	6	10	8	21	GN 613.1-6	37
GN 613-8-GK-NI	8	69	M16x1.5	31	M8	34	8	12	9	26	GN 613.1-8	82
GN 613-10-GK-NI	10	80	M20x1.5	31	M8	43	10	12	17	40	GN 613.1-10	123



ELESA and GANTER models all rights reserved in accordance with the law. Always mention the source when reproducing our drawings.

STANDARD MACHINE ELEMENTS WORLDWIDE