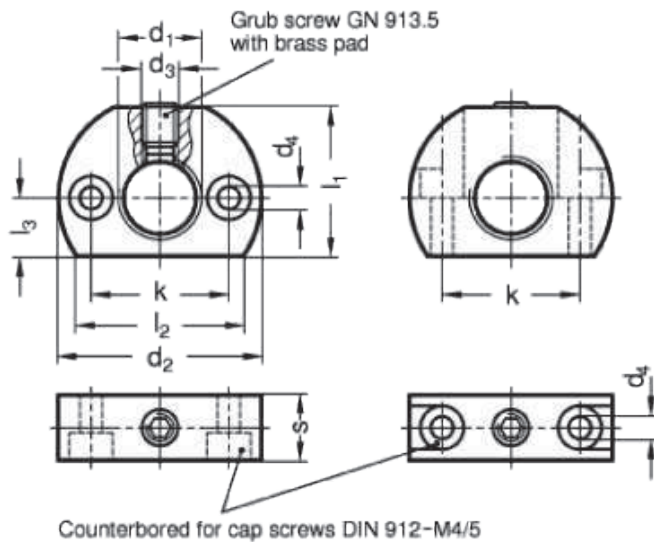


GN 612.1-NI

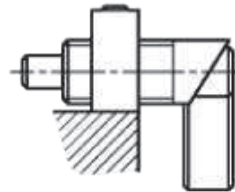
Mounting blocks



INOX
Stainless Steel



Example
Type B



technical informations

Material

AISI 303 stainless steel **NI**.

Set screw

Stainless steel, GN 913.5-MS type with brass pad.

Types

- Type **A**: fixing holes parallel to plunger.
- Type **B**: fixing holes vertical to plunger.

Features and applications

Stainless Steel-Mounting blocks GN 612.1-NI broaden the mounting possibilities and are an added feature for the cam action indexing plungers GN 612 and cam action indexing plungers GN 712 / GN 712.1. They can also be used with indexing plungers GN 613, sizes 6, 8 and 10.

Standard Elements	Main dimensions									Weight
Description	d ₁	d ₂	d ₃	d ₄	k ±0.1	l ₁	l ₂ ≈	l ₃	s	g
GN 612.1-M12x1.5-A-NI	M12x1.5	32	M5	4.5	21	22	26.5	9	12	43
GN 612.1-M12x1.5-B-NI	M12x1.5	32	M5	4.5	21	22	26.5	9	12	37
GN 612.1-M16x1.5-A-NI	M16x1.5	46	M8	5.5	32	33	37	13	15	121
GN 612.1-M16x1.5-B-NI	M16x1.5	46	M8	5.5	32	33	37	13	15	107
GN 612.1-M20x1.5-A-NI	M20x1.5	46	M8	5.5	32	33	37	13	15	110
GN 612.1-M20x1.5-B-NI	M20x1.5	46	M8	5.5	32	33	37	13	15	100



STANDARD MACHINE ELEMENTS WORLDWIDE