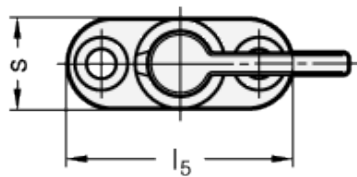
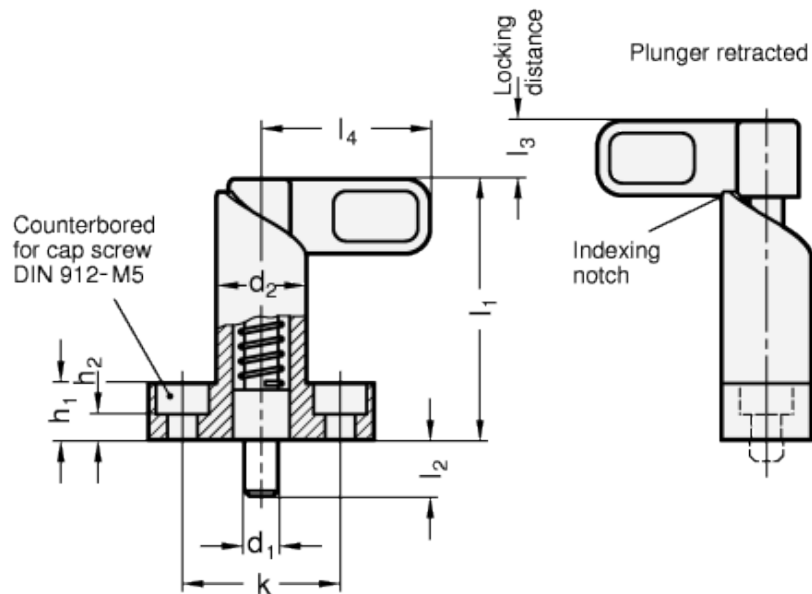


GN 612.10

Cam action indexing plungers



technical informations

Specification

Guide

Zinc die casting

plastic coated

black, RAL 9005, textured finish SW

Plunger
Steel
zinc plated, blue passivated

Lever
Plastic (Polyamide PA)
- black, matt
- not removable

Information

Cam action indexing plungers GN 612.10 are used in cases where the plunger must not protrude all the time. By rotating the lever through 180° the plunger withdraws itself. The notch allows safe positioning.

Standard Elements	Main dimensions											Spring load in N \approx		Weight
Description	d ₁ -0.05	l ₂	d ₂	h	h ₂	k	l ₁	l ₃	l ₄	l ₅	s	initial	end	g
GN 612.10-6-10-16-SW	6	10	16	10	4.5	28	46	10	30	40	16	12	32	-
GN 612.10-6-16-16-SW	6	16	16	10	4.5	28	46	10	30	40	16	12	32	-
GN 612.10-8-10-16-SW	8	10	16	10	4.5	28	46	10	30	40	16	12	32	-
GN 612.10-8-16-16-SW	8	16	16	10	4.5	28	46	10	30	40	16	12	32	-
GN 612.10-8-12-20-SW	8	12	20	10	4.5	32	57	12	37	45	20	21	58	-
GN 612.10-8-18-20-SW	8	18	20	10	4.5	32	57	12	37	45	20	21	58	-
GN 612.10-10-10-16-SW	10	10	16	10	4.5	28	46	10	30	40	16	12	32	-
GN 612.10-10-16-16-SW	10	16	16	10	4.5	28	46	10	30	40	16	12	32	-
GN 612.10-10-12-20-SW	10	12	20	10	4.5	32	57	12	30	45	20	21	58	-
GN 612.10-10-18-20-SW	10	18	20	10	4.5	32	57	12	30	45	20	21	58	-
GN 612.10-12-12-20-SW	12	12	20	10	4.5	32	57	12	37	45	20	21	58	-
GN 612.10-12-18-20-SW	12	18	20	10	4.5	32	57	12	37	45	20	21	58	-



ELESA and GANTER models all rights reserved in accordance with the law. Always mention the source when reproducing our drawings.

STANDARD MACHINE ELEMENTS WORLDWIDE