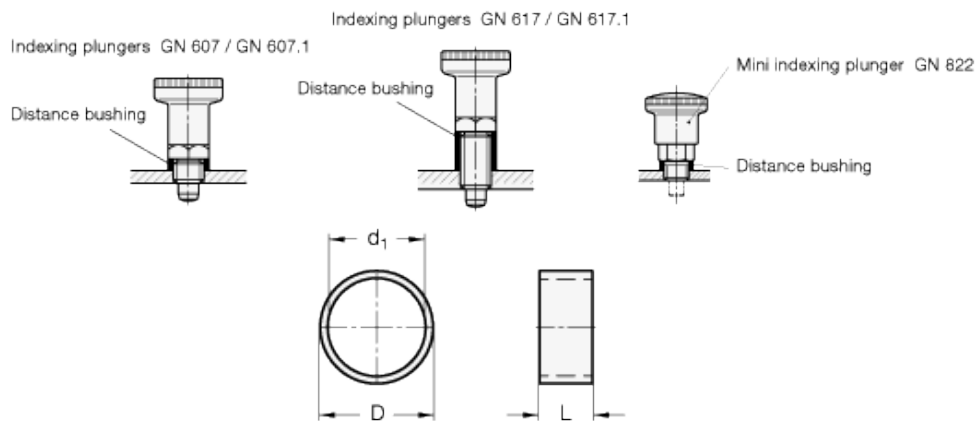


# GN 609.5

Distance bushings



INOX  
Stainless Steel



technical informations

**Material**

AISI 303 stainless steel.

**Features and applications**

Distance bushings GN 609.5 compensate for the body thread lengths on the indexing plungers to allow mounting through walls of varying thickness.

Standard Elements	Main dimensions			For indexing plungers											Weight
Description	d <sub>1</sub> H12	d <sub>2</sub>	l <sub>±0.1</sub>	Thread of indexing plungers	GN 414	GN 514	GN 607 GN 607.1	GN 617 GN 617.1 GN 617.2	GN 717	GN 816 GN 816.1	GN 817 GN 817.2	GN 822	GN 7336.8	g	
GN 609.5-6-7-2	6	7	2	M6	-	-	-	-	X	-	-	-	-	-	
GN 609.5-6-7-4	6	7	4	M6	-	-	-	-	X	-	-	-	-	-	
GN 609.5-6-7-6	6	7	6	M6	-	-	-	-	X	-	-	-	-	-	
GN 609.5-6-7-8	6	7	8	M6	-	-	-	-	X	-	-	-	-	-	
GN 609.5-8-10-2	8	10	2	M8	-	-	-	-	X	-	X	X	-	1	
GN 609.5-8-10-4	8	10	4	M8	-	-	-	-	X	-	X	X	-	1	
GN 609.5-8-10-6	8	10	6	M8	-	-	-	-	X	-	X	X	-	1	
GN 609.5-8-10-8	8	10	8	M8	-	-	-	-	X	-	X	X	-	2	
GN 609.5-8-10-10	8	10	10	M8	-	-	-	-	X	-	X	X	-	2	
GN 609.5-10-12-2	10	12	2	M10	-	-	-	X	X	-	X	X	-	1	
GN 609.5-10-12-4	10	12	4	M10	-	-	-	X	X	-	X	X	-	1	
GN 609.5-10-12-6	10	12	6	M10	-	-	-	X	X	-	X	X	-	2	
GN 609.5-10-12-8	10	12	8	M10	-	-	-	X	X	-	X	X	-	2	
GN 609.5-10-12-10	10	12	10	M10	-	-	-	X	X	-	X	X	-	3	
GN 609.5-10-12-12	10	12	12	M10	-	-	-	X	X	-	X	X	-	3	
GN 609.5-12-14-2	12	14	2	M12	-	-	-	X	X	X	X	-	-	1	
GN 609.5-12-14-4	12	14	4	M12	-	-	-	X	X	X	X	-	-	1	
GN 609.5-12-14-6	12	14	6	M12	-	-	-	X	X	X	X	-	-	2	
GN 609.5-12-14-8	12	14	8	M12	-	-	-	X	X	X	X	-	-	2	
GN 609.5-12-14-10	12	14	10	M12	-	-	-	X	X	X	X	-	-	3	
GN 609.5-12-14-12	12	14	12	M12	-	-	-	X	X	X	X	-	-	3	
GN 609.5-12-14-14	12	14	14	M12	-	-	-	X	X	X	X	-	-	4	
GN 609.5-12-17-2	12	17	2	M12	X	-	X	-	-	-	-	-	-	2	
GN 609.5-12-17-4	12	17	4	M12	X	-	X	-	-	-	-	-	-	3	
GN 609.5-12-17-6	12	17	6	M12	X	-	X	-	-	-	-	-	-	4	
GN 609.5-12-17-8	12	17	8	M12	X	-	X	-	-	-	-	-	-	5	
GN 609.5-12-17-10	12	17	10	M12	X	-	X	-	-	-	-	-	-	6	
GN 609.5-12-17-12	12	17	12	M12	X	-	X	-	-	-	-	-	-	7	
GN 609.5-16-17-2	16	17	2	M16	-	X	-	-	X	-	X	-	-	1	

GN 609.5-16-17-4	16	17	4	M16	-	X	-	-	X	-	X	-	-	1
GN 609.5-16-17-6	16	17	6	M16	-	X	-	-	X	-	X	-	-	1
GN 609.5-16-17-8	16	17	8	M16	-	X	-	-	X	-	X	-	-	1
GN 609.5-16-17-10	16	17	10	M16	-	X	-	-	X	-	X	-	-	2
GN 609.5-16-17-12	16	17	12	M16	-	X	-	-	X	-	X	-	-	2
GN 609.5-16-19-2	16	19	2	M16	X	-	-	X	-	-	-	-	X	1
GN 609.5-16-19-4	16	19	4	M16	X	-	-	X	-	-	-	-	X	2
GN 609.5-16-19-6	16	19	6	M16	X	-	-	X	-	-	-	-	X	4
GN 609.5-16-19-8	16	19	8	M16	X	-	-	X	-	-	-	-	X	5
GN 609.5-16-19-10	16	19	10	M16	X	-	-	X	-	-	-	-	X	6
GN 609.5-16-19-12	16	19	12	M16	X	-	-	X	-	-	-	-	X	7
GN 609.5-20-22-6	20	22	6	M20	-	-	-	X	-	-	X	-	-	5
GN 609.5-20-22-8	20	22	8	M20	-	-	-	X	-	-	X	-	-	5
GN 609.5-20-22-10	20	22	10	M20	-	-	-	X	-	-	X	-	-	6
GN 609.5-20-22-12	20	22	12	M20	-	-	-	X	-	-	X	-	-	6
GN 609.5-20-22-14	20	22	14	M20	-	-	-	X	-	-	X	-	-	7
GN 609.5-20-22-16	20	22	16	M20	-	-	-	X	-	-	X	-	-	7
GN 609.5-20-22-18	20	22	18	M20	-	-	-	X	-	-	X	-	-	8



STANDARD MACHINE ELEMENTS WORLDWIDE