

# GN 607.1-NI

Indexing plungers with rest position

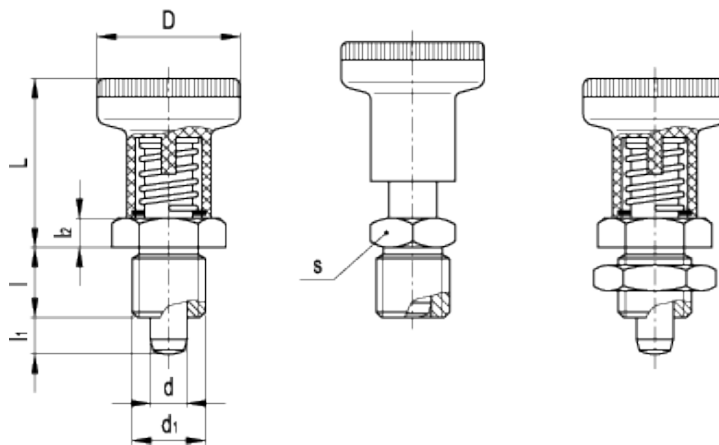


INOX  
Stainless Steel



GN 607.1-A

GN 607.1-AK



technical informations

**Threaded body**

AISI 303 stainless steel.

**Plunger**

Nickel-plated AISI 303 stainless steel. Suggested matching hole in H7 tolerance.

**Locking nut**

AISI 304 stainless steel.

**"Push/Pull knurled knob**

High resilience polyamide based (PA) technopolymer, black colour, matte finish. Resistant to solvents, oils, greases and other chemical agents.

**Standard executions available**

- Version A: with knob, without locking nut.
- Version AK: with knob and locking nut, ISO 8675.

*Accessories on request (For sufficient quantities)*

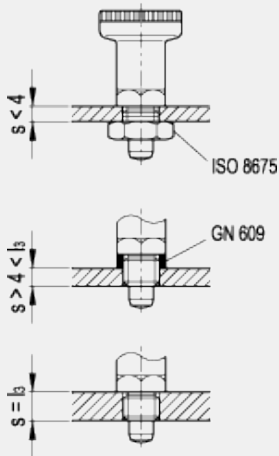
GN 609.5 AISI 303 stainless steel distance bushings are available for making up for the length of the threading in case the plunger is assembled on thin sheets.

*Features and applications*

GN 607.1-NI indexing plungers with rest position have compact dimensions and are used on thin metal sheets and where the plunger needs to be locked in the retracted position.

AISI 303 stainless steel, thanks to its high resistance to corrosion, allows the application of these indexing plungers on machines and equipment in those sectors where laws or particular hygienic, climatic and environmental factors make it mandatory to use corrosion resistant materials.

**Assembly examples**



Standard Elements	Main dimensions							Spring pressure		Axial holding force [N]	Weight [g]	
	Description	d <sup>-0.02 -0.04</sup>	d <sub>1</sub>	D	L	l <sup>-0.15</sup>	l <sub>1 min.</sub>	l <sub>2</sub>	s			Preload [N~]
GN 607.1-6-A-NI	6	M12x1.5	25	29	10	6	5	17	7	18	400	34
GN 607.1-8-A-NI	8	M16x1.5	31	34	12	8	6	19	14	24	500	59
GN 607.1-6-AK-NI	6	M12x1.5	25	29	10	6	5	17	7	18	400	42
GN 607.1-8-AK-NI	8	M16x1.5	31	34	12	8	6	19	14	24	500	75



ELESA and GANTER models all rights reserved in accordance with the law. Always mention the source when reproducing our drawings.

**STANDARD MACHINE ELEMENTS WORLDWIDE**