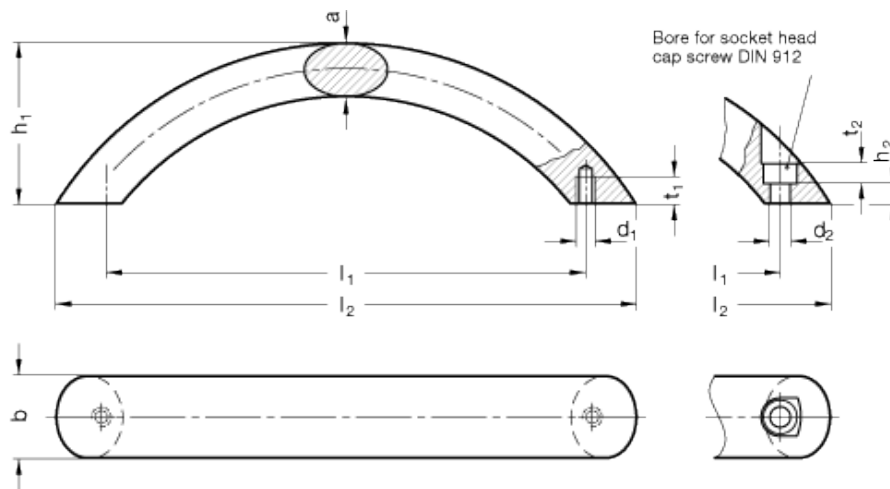


GN 565.9

Arch handles



INOX
Stainless Steel



technical informations

Material

AISI 304 stainless steel, matt shot blasted MT.

Standard versions available

- Type A: back mounting, tapped blind holes.
- Type B: front mounting, through holes for cylindrical head screws with hexagon socket, DIN 912.

Special executions on request (For sufficient quantities)

Different lengths.

Features and applications

The manufacturing process (bending) allows the production of special lengths in relatively small quantities.

Standard Elements

Main dimensions

Mounting holes

Weight

Description	b	$l_1 \pm 0.25$	$l_2 \approx$	a	d ₁	d ₂	h ₁	h ₂	t _{1 min.}	t ₂	g
GN 565.9-160-20-A-MT	20	160	185	13	M6	-	50	-	8	-	318
GN 565.9-192-20-A-MT	20	192	221	13	M6	-	50	-	8	-	366
GN 565.9-160-20-B-MT	20	160	185	13	-	5.3	50	5	-	5	306
GN 565.9-192-20-B-MT	20	192	221	13	-	5.3	50	5	-	5	350



ELESA and GANTER models all rights reserved in accordance with the law. Always mention the source when reproducing our drawings.

STANDARD MACHINE ELEMENTS WORLDWIDE