



GN 565.3

Cabinet "U" handles

Aluminium



Specification

Types

- Type **A**: Mounting from the back (threaded blind bore)
- Type **B**: Mounting from the operator's side

Aluminium

plastic coated

black, RAL 9005, textured finish **SW**

silver, RAL 9006, textured finish **SR**

anodized, natural colour **EL**

blank, tumbled **BL**

Information

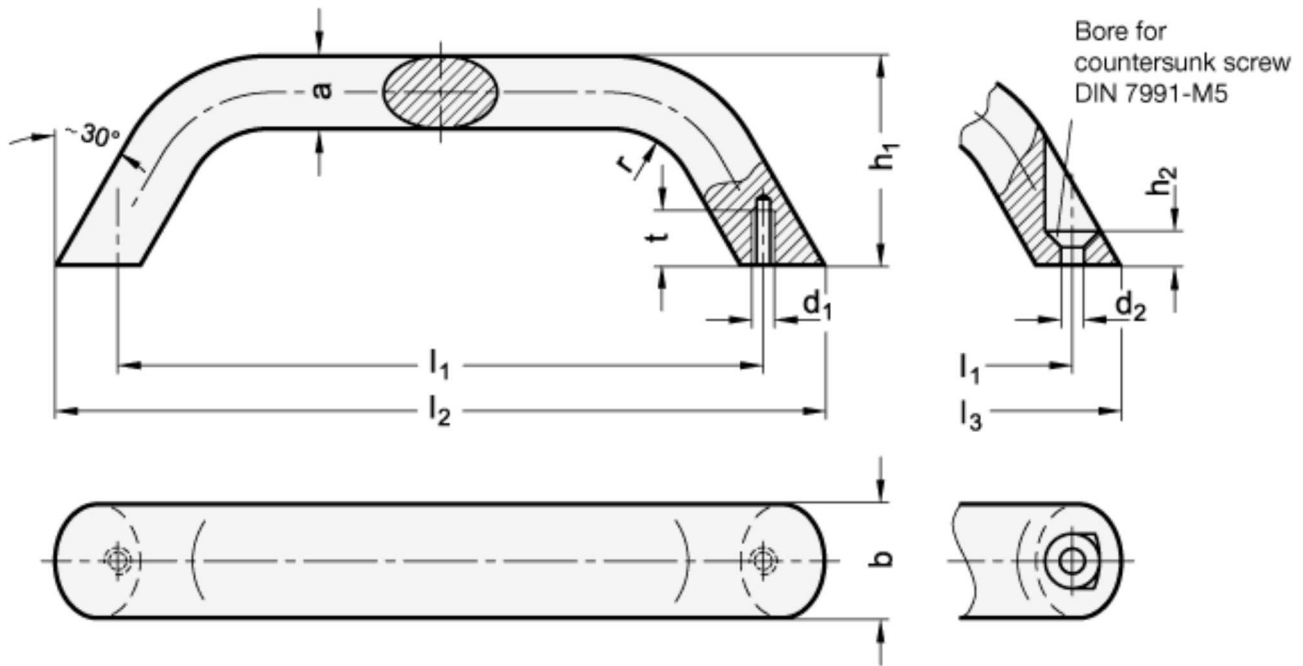
Cabinet "U" handles GN 565.3 are suitable for applications where lower „lifting forces are required such as on lids or protective machine covers.





The countersunk holes of type B allow fixing with self tapping screws or countersunk rivets.

The manufacturing process (bending) allows the production of **special lengths** in relatively small quantities.

Technical information

- [Load rating information](#)
-



	Black (RAL 9005)	Black
	Blank	Blank
	Silver (RAL 9006)	Silver
	anodized, natural colour	anodized, natural colour

GN 565.3

Description	b	$l_1 \pm 0.25$	l_2	$l_3 \approx$	a	d_1	d_2	h_1	h_2	r	t min.	Weight
GN 565.3-20-120-A-BL	20	120	142	-	13	M 5	-	41	-	13	10	86
GN 565.3-20-120-A-EL	20	120	142	-	13	M 5	-	41	-	13	10	86
GN 565.3-20-120-A-SR	20	120	142	-	13	M 5	-	41	-	13	10	86
GN 565.3-20-120-A-SW	20	120	142	-	13	M 5	-	41	-	13	10	86
GN 565.3-20-160-A-BL	20	160	182	-	13	M 5	-	45	-	13	10	115
GN 565.3-20-160-A-EL	20	160	182	-	13	M 5	-	45	-	13	10	115
GN 565.3-20-160-A-SR	20	160	182	-	13	M 5	-	45	-	13	10	115
GN 565.3-20-160-A-SW	20	160	182	-	13	M 5	-	45	-	13	10	115
GN 565.3-20-120-B-BL	20	120	-	137	13	-	5.3	41	5	13	10	82
GN 565.3-20-120-B-EL	20	120	-	137	13	-	5.3	41	5	13	10	82
GN 565.3-20-120-B-SR	20	120	-	137	13	-	5.3	41	5	13	10	82
GN 565.3-20-120-B-SW	20	120	-	137	13	-	5.3	41	5	13	10	82
GN 565.3-20-160-B-BL	20	160	-	177	13	-	5.3	45	5	13	10	101
GN 565.3-20-160-B-EL	20	160	-	177	13	-	5.3	45	5	13	10	101
GN 565.3-20-160-B-SR	20	160	-	177	13	-	5.3	45	5	13	10	101
GN 565.3-20-160-B-SW	20	160	-	177	13	-	5.3	45	5	13	10	101