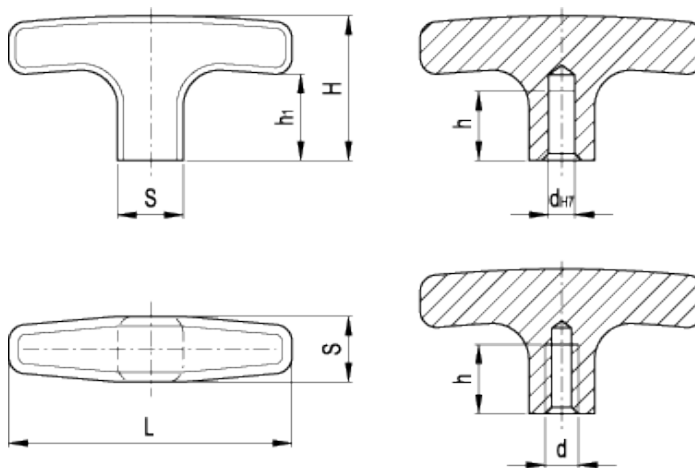


GN 563.2

Handles



technical informations

Material

Aluminium.

- Version BL: natural aluminium.
- Version SW: RAL 9005 black colour, matte finish, epoxy resin coating.
- Version SR: RAL 9006 silver, matte textured finish, epoxy resin coating.

Assembly

Plain or tapped blind hole.

Special executions on request (For sufficient quantities)

Anodised aluminium, natural colour, matte finish (execution EL).

Standard Elements	Main dimensions				Mounting hole			Weight
Description	L	S	H	h ₁	d _{H7}	d	h _{min}	g
GN 563.2-55-B6-BL	55	14	33	22	6	-	12	30
GN 563.2-55-B6-SW	55	14	33	22	6	-	12	31
GN 563.2-55-B6-SR	55	14	33	22	6	-	12	31
GN 563.2-55-M6-BL	55	14	33	22	-	M6	12	29
GN 563.2-55-M6-SW	55	14	33	22	-	M6	12	33
GN 563.2-55-M6-SR	55	14	33	22	-	M6	12	33
GN 563.2-55-M8-BL	55	14	33	22	-	M8	12	40
GN 563.2-55-M8-SW	55	14	33	22	-	M8	12	40
GN 563.2-55-M8-SR	55	14	33	22	-	M8	12	40
GN 563.2-67-B8-BL	67	16	37	25	8	-	16	45
GN 563.2-67-B8-SW	67	16	37	25	8	-	16	46
GN 563.2-67-B8-SR	67	16	37	25	8	-	16	46
GN 563.2-67-M8-BL	67	16	37	25	-	M8	16	45
GN 563.2-67-M8-SW	67	16	37	25	-	M8	16	47
GN 563.2-67-M8-SR	67	16	37	25	-	M8	16	47
GN 563.2-80-B8-BL	80	20	41	26	8	-	16	80
GN 563.2-80-B8-SW	80	20	41	26	8	-	16	80
GN 563.2-80-B8-SR	80	20	41	36	8	-	16	80
GN 563.2-80-M8-BL	80	20	41	26	-	M8	16	80
GN 563.2-80-M8-SW	80	20	41	26	-	M8	16	80
GN 563.2-80-M8-SR	80	20	41	26	-	M8	16	80
GN 563.2-80-M10-BL	80	20	41	26	-	M10	16	61
GN 563.2-80-M10-SW	80	20	41	26	-	M10	16	61
GN 563.2-80-M10-SR	80	20	41	26	-	M10	16	61



ELESA and GANTER models all rights reserved in accordance with the law. Always mention the source when reproducing our drawings.

STANDARD MACHINE ELEMENTS WORLDWIDE