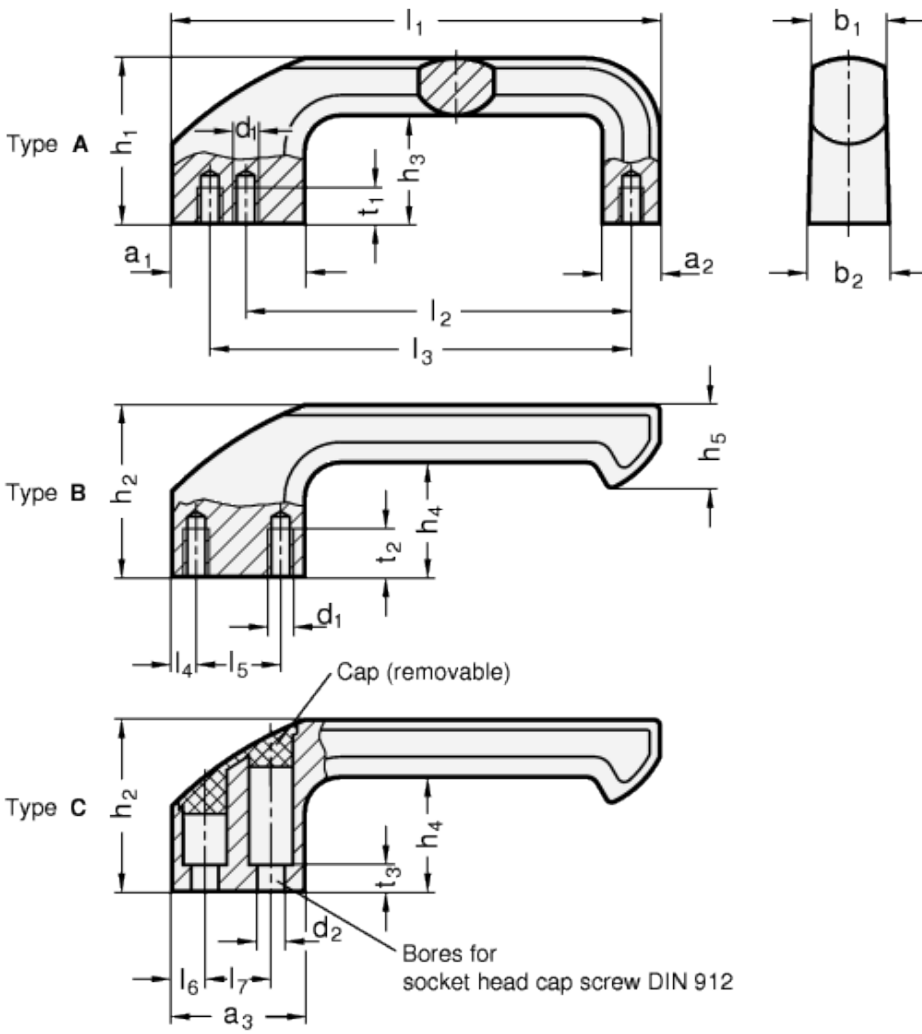


GN 559

Handles



technical informations

Material

Aluminium, epoxy resin coating.

- Version SW: RAL 9005, black colour, matte finish.
- Version SR: RAL 9006, silver, matte finish.

Assembly

Tapped blind holes.

- Type A: closed-ended handle.
- Type B: open-ended type, mounting from the back (threaded blind bore)
- Type C: open-ended type, mounting from the operator's side.

Features and applications

A special characteristic of the Handle GN 559 is the thumb rest pad on the front of the leg.

At the same time the extended leg offers an open ended version with wide access.

Handles GN 559 are known for their high stability. They are fixed by two M8 screws whereby type A offers two alternative hole centers (l₂ or l₃).

Standard Elements	Main dimensions																					Weight	
Description	l ₁ ±0.25	a ₁	a ₂	a ₃	b ₁	b ₂	d ₁	d ₂	h ₁	h ₂	h ₃	h ₄	h ₅	l ₂	l ₃ ±0.2	l ₄	l ₅	l ₆	l ₇	t ₁ min.	t ₂ min.	t ₃	g
GN 559-162-A-SW	162	38	19	-	25	28	M8	-	55	-	36	-	-	128	140	-	-	-	-	12	-	-	262
GN 559-162-A-SR	162	38	19	-	25	28	M8	-	55	-	36	-	-	128	140	-	-	-	-	12	-	-	262
GN 559-162-B-SW	162	-	-	40	25	28	M8	-	-	57	-	38	28	-	-	8	22	-	-	-	16	-	248
GN 550-162-B-SR	162	-	-	40	25	28	M8	-	-	57	-	38	28	-	-	8	22	-	-	-	16	-	248
GN 559-162-C-SW	162	-	-	40	25	28	-	8.3	-	57	-	38	28	-	-	-	-	10	20	-	-	8	-
GN 559-162-C-SR	162	-	-	40	25	28	-	8.3	-	57	-	38	28	-	-	-	-	10	20	-	-	8	-



ELESA and GANTER models all rights reserved in accordance with the law. Always mention the source when reproducing our drawings.

STANDARD MACHINE ELEMENTS WORLDWIDE